

Beyond Pivoting with pivot rod, long type

Pivoting fitting, long type Art. No. 30.110 for 10 mm glass

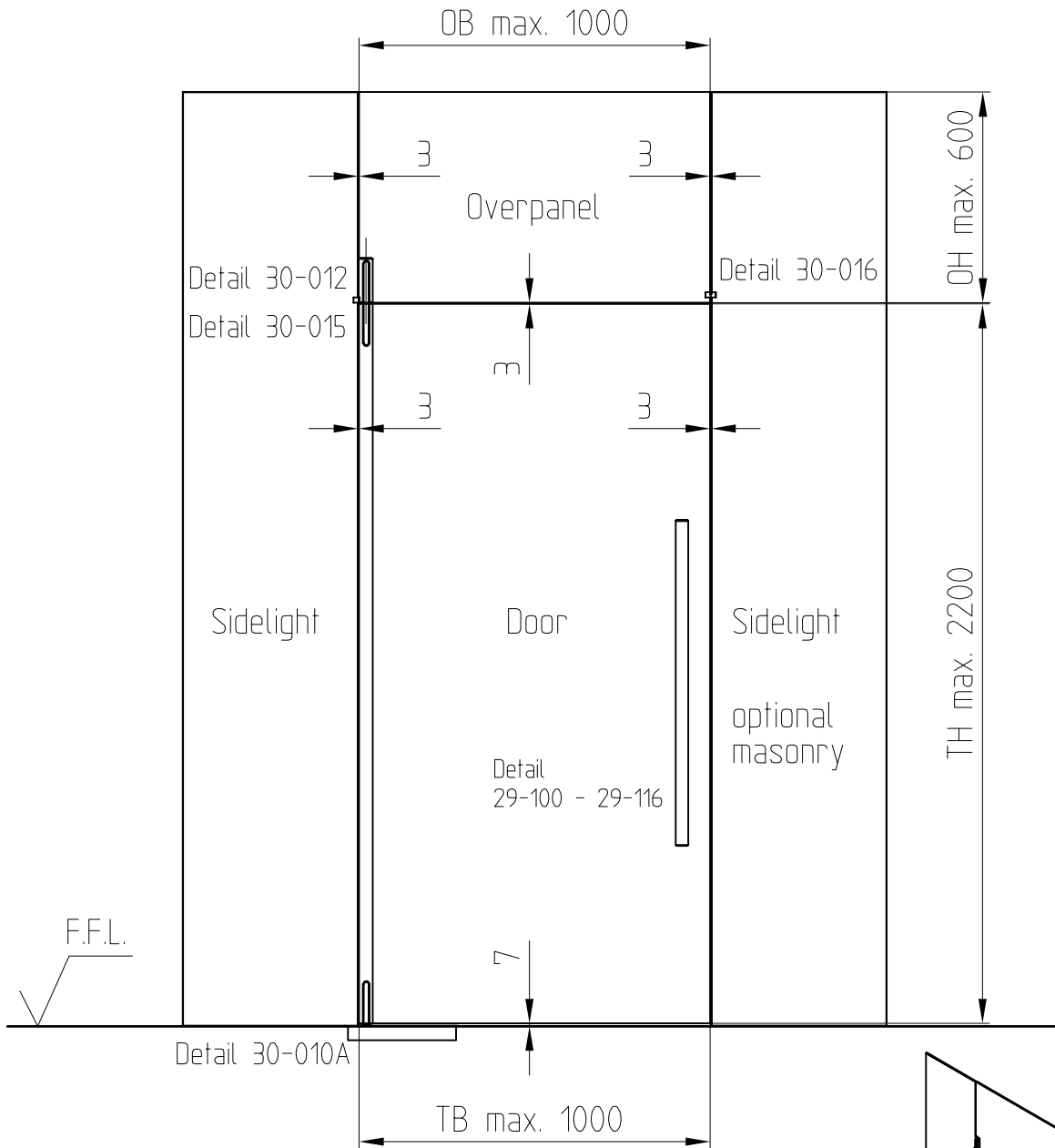
Art. No. 30.111 for 12 mm glass

30.110/30.111/30.130/30.131

with overpanel fitting glass connector Art. No. 30.130 for 10 mm glass

Art. No. 30.131 for 12 mm glass

Fittings for 10 and 12 mm glass thickness, 8 mm glass thickness on request



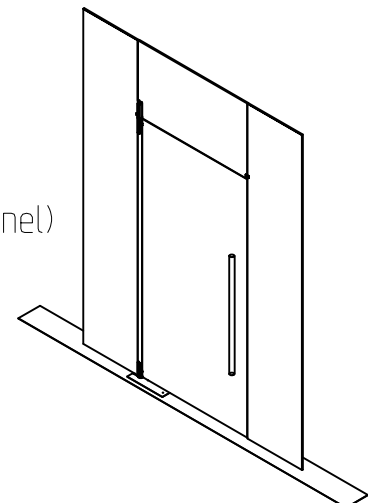
Detail glass preparation: 30-021 (Door) / 30-022 (Overpanel)

OB = overpanel width

OH = overpanel height

TB = door width

TH = door height



1:20

07.2022 / 016627

30-002