

# Beyond Pivoting with pivot rod, long type

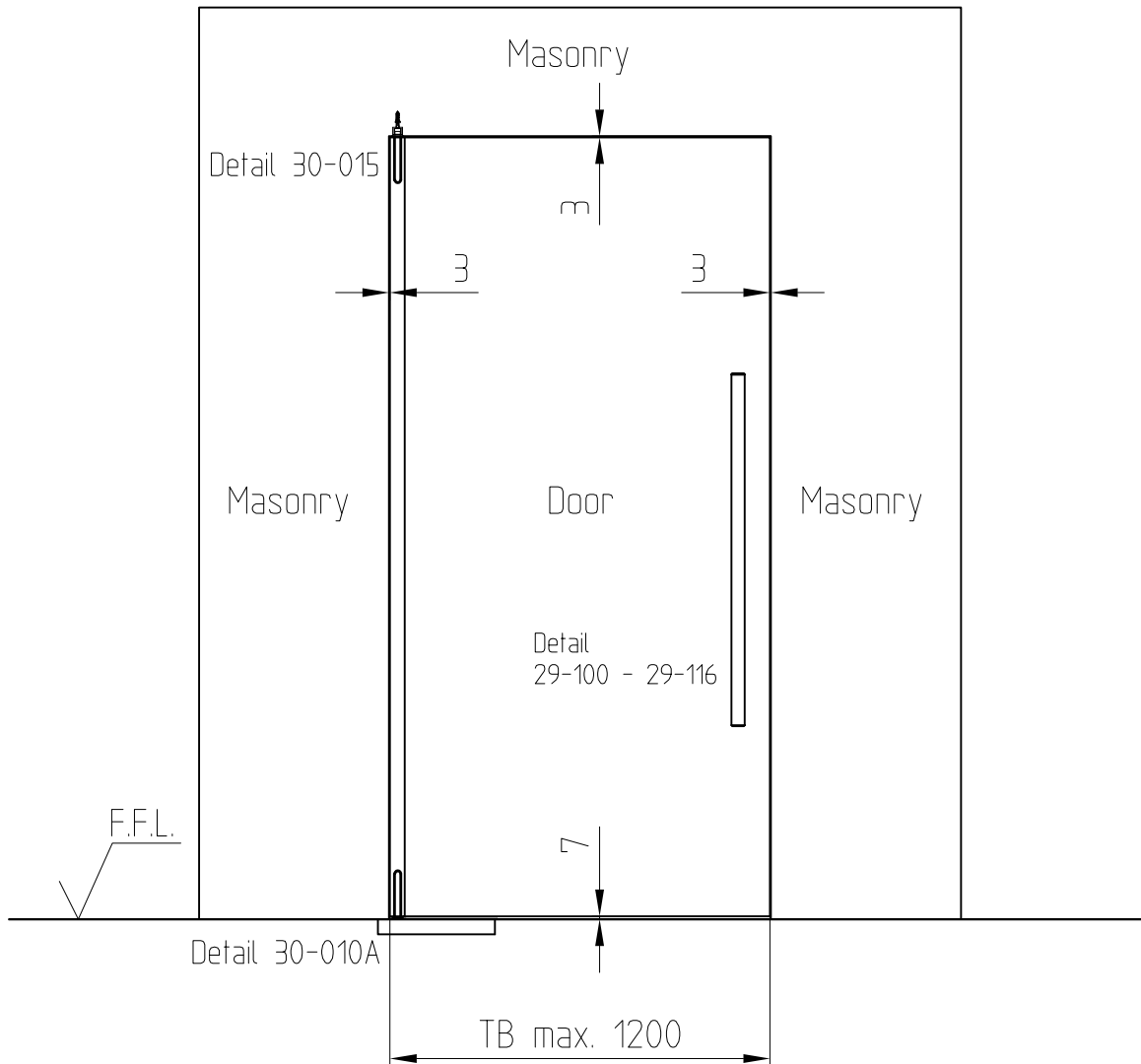
Pivoting fitting, long type Art. No. 30.110 for 10 mm glass

Art. No. 30.111 for 12 mm glass

in combination with top pivot bearing Art. No. 01.130

Fittings for 10 and 12 mm glass thickness, 8 mm glass thickness on request

Door weight: max. 80kg



Detail glass preparation: 30-021 (Door)

TB = door width

