

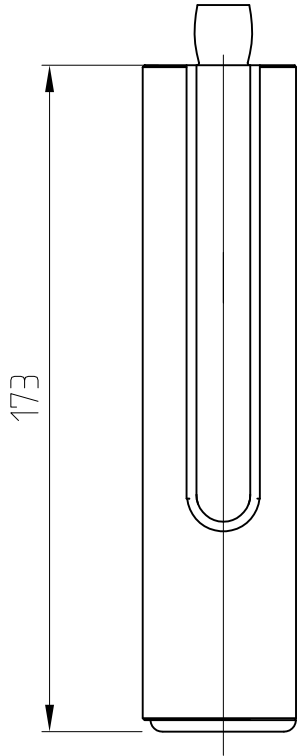
Beyond Pivoting



30.100/30.101

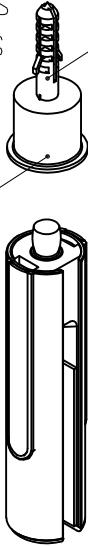
Pivoting fitting set, short type, comprising:
 Top pivot fitting with pivot $\phi 15$ mm and
 bottom pivot fitting with insert for
 DORMA floor spring spindle or round pivot

Art. No. 30.100 for 10 mm glass
 Art. No. 30.101 for 12 mm glass



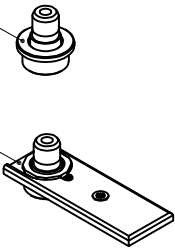
top pivot bearing
 Art. No. 01.130

Fixing screw
 and plug on site.
 e.g. countersunk wood
 screw DIN 7997 5x ...
 galvanised, depending on
 wall fixing or type of
 wallplug

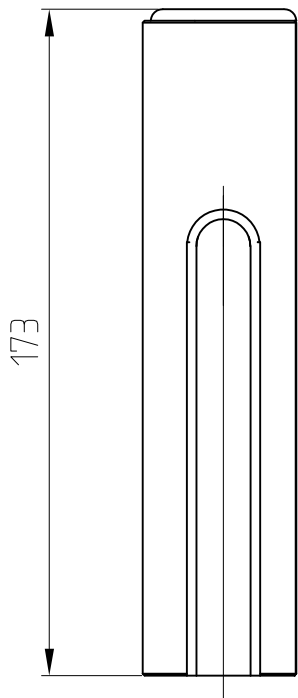
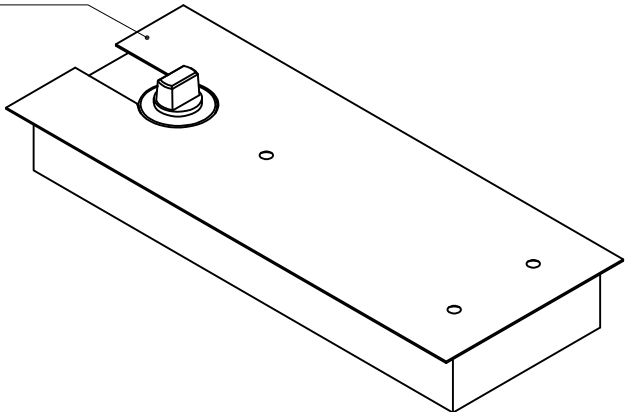


floor bearing Art. No. 01.107

floor bearing Art. No. 01.106



BTS 84(80)-75V-



1:1

07.2022 / 016627

30-009