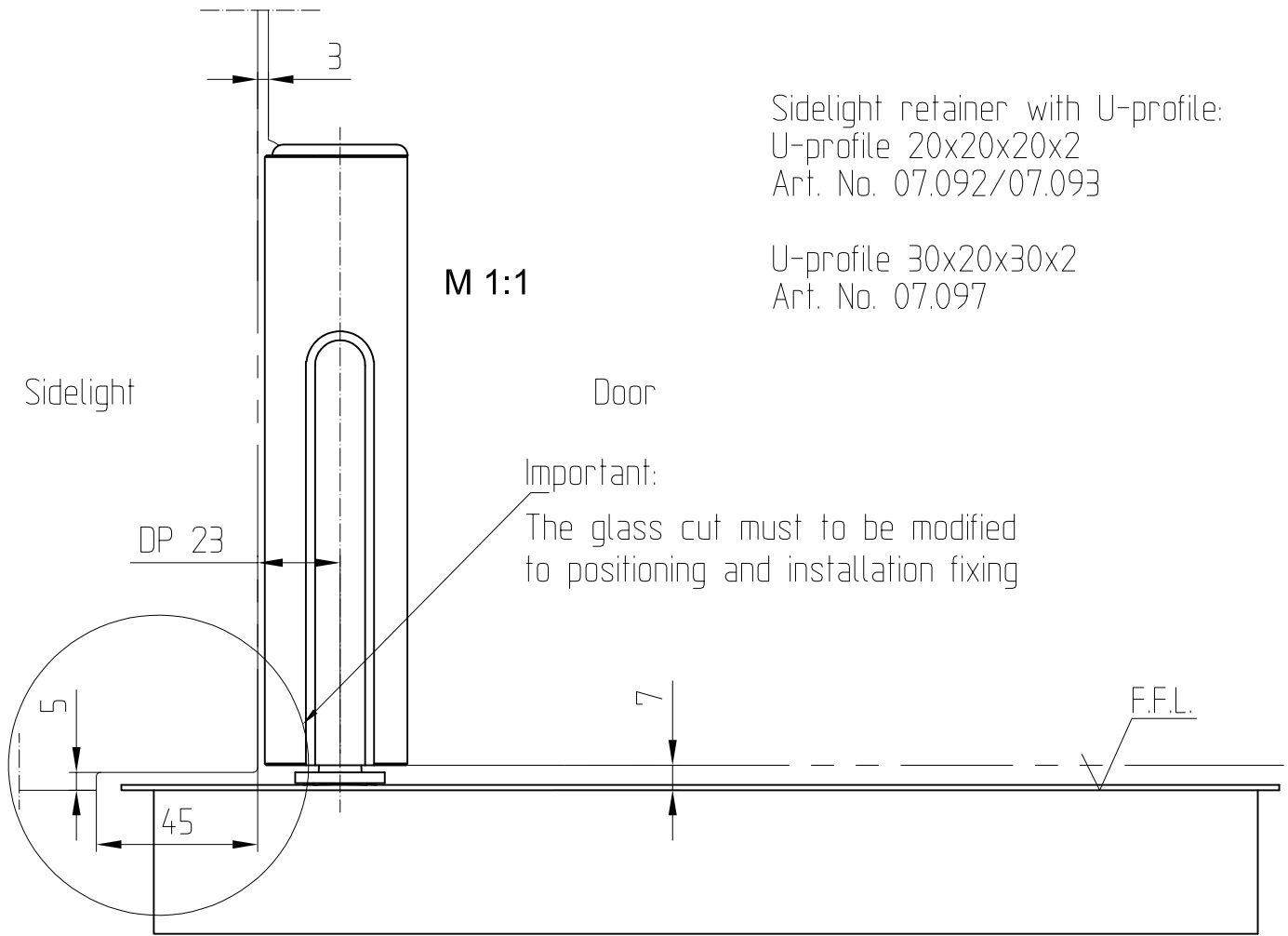


Beyond Pivoting

Floor spring (BTS)
Fixing suggestions for the sidelight

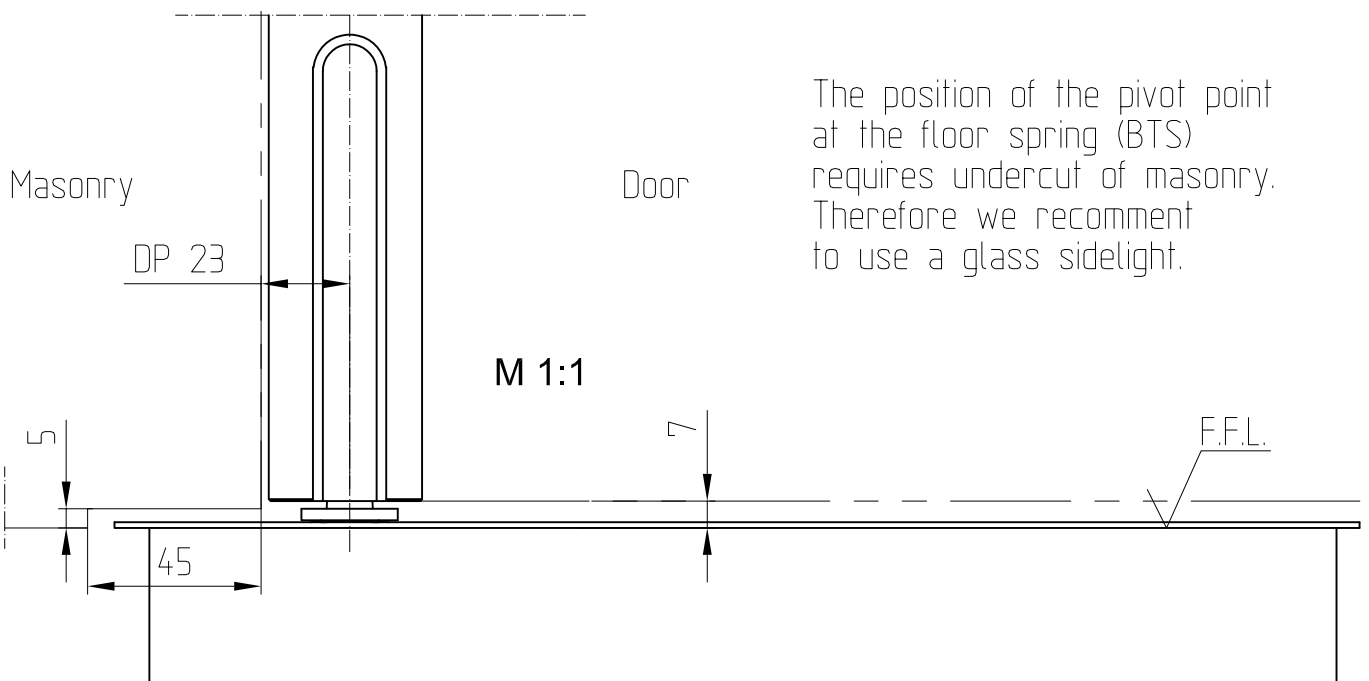


Sidelight retainer with U-profile:
U-profile 20x20x20x2
Art. No. 07.092/07.093

U-profile 30x20x30x2
Art. No. 07.097

Important:
The glass cut must to be modified
to positioning and installation fixing

DP = pivot point



The position of the pivot point
at the floor spring (BTS)
requires undercut of masonry.
Therefore we recommend
to use a glass sidelight.

1:2

07.2022 / 016627

30-010A