

# Contents

|          |   |          |
|----------|---|----------|
| <b>1</b> | <b>About this manual</b>                      | <b>2</b> |
| 1.1      | Information about the manual                  | 2        |
| 1.2      | Other applicable documents                    | 2        |
| 1.3      | Target group                                  | 2        |
| 1.4      | Symbols used                                  | 2        |
| 1.4.1    | Safety instructions                           | 2        |
| 1.4.2    | Further labeling                              | 2        |
| <b>2</b> | <b>Safety</b>                                 | <b>2</b> |
| 2.1      | Intended use                                  | 2        |
| 2.2      | Foreseeable misuse                            | 2        |
| <b>3</b> | <b>Product description</b>                    | <b>2</b> |
| 3.1      | Example of a UNIQUIN unit                     | 2        |
| 3.2      | Parts included                                | 3        |
| 3.3      | Example of a mounted drop-down seal           | 3        |
| 3.4      | Technical data                                | 3        |
| <b>4</b> | <b>Storage and transport</b>                  | <b>4</b> |
| <b>5</b> | <b>Mounting preparation</b>                   | <b>4</b> |
| 5.1      | Tools for mounting                            | 4        |
| 5.2      | Prepare mounting                              | 4        |
| 5.3      | Replace lower cover profile of the door frame | 4        |
| <b>6</b> | <b>Mounting</b>                               | <b>5</b> |
| 6.1      | Mount drop-down seal                          | 6        |
| 6.2      | Set drop-down torque                          | 7        |
| <b>7</b> | <b>Maintenance and care</b>                   | <b>7</b> |
| 7.1      | Maintenance instructions                      | 7        |
| 7.2      | Cleaning instructions                         | 7        |
| <b>8</b> | <b>Disassembly and disposal</b>               | <b>7</b> |

# UNIQUIN Drop-Down Seal

# 1 About this manual

## 1.1 Information about the manual

This manual describes how the mounting of a UNIQUIN drop-down seal as part of a UNIQUIN partition wall system and provides maintenance and care information.

Further unit components and mounting instructions may be required to complete the UNIQUIN partition wall unit's mounting according to the project-related unit drawing, e.g. for the door frame unit with hinges and overpanel. The illustrated unit components and configurations are exemplary and do not show every possible mounting situation.

## 1.2 Other applicable documents

The following technical documents for the product should be noted:

- The project-related unit drawing
- The UNIQUIN Door Frame System's mounting instructions
- The mounting instructions of all unit components
- The UNIQUIN system manual

## 1.3 Target group

The target group of these mountings instructions is qualified personnel who have been specially trained in glazing installation.

## 1.4 Symbols used

### 1.4.1 Safety instructions

Safety instructions are marked with signal words. The safety instructions are introduced by signal words that express the extent of the hazard, e. g.:



#### CAUTION

This signal word indicates a situation of potential risk, which could lead to minor or slight injury if not averted.



#### ATTENTION

This signal word indicates a situation of potential risk, which could lead to damage to property or the environment if not averted.



#### TIPS AND RECOMMENDATIONS

This symbol indicates useful information for efficient and trouble-free operation.

### 1.4.2 Further labeling

1. 2. Step-by-step graphics

1 2 Position numbers for parts in graphics

## 2 Safety

### 2.1 Intended use

The product is designed to close the gap under the closed door in a UNIQUIN unit and to optimize sound insulation. The product may only be mounted with unit components designed by dormakaba for the installation situation and approved according to the project-related unit drawing.

- The product may only be mounted undamaged and in accordance with the requirements of the assembly location.
- The product may only be mounted by qualified personnel who correspond to the defined target group.
- Only toughened safety glass (TSG) or laminated safety glass (LSG) made of TSG may be installed with the product.
- The product is only suitable for indoor use.
- The product is suitable for use in tropical countries.

### 2.2 Foreseeable misuse

- The product is not suitable for outdoor mounting.
- The product is not suitable for mounting in the vicinity of showers, saunas, swimming and brine bath or rooms in which chemicals (e.g. chlorine) are used.

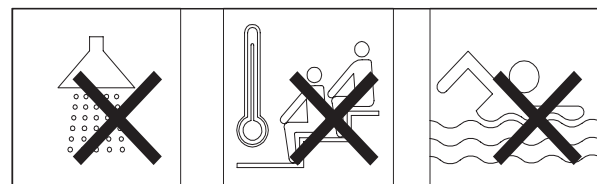


Fig. 1 Not suitable for showers, saunas, baths or salt-water baths

## 3 Product description

### 3.1 Example of a UNIQUIN unit

This UNIQUIN unit is an example of a UNIQUIN partition wall unit. Further combinations with other unit components, e.g. with an acoustic element, a door closer or a sliding door are possible.

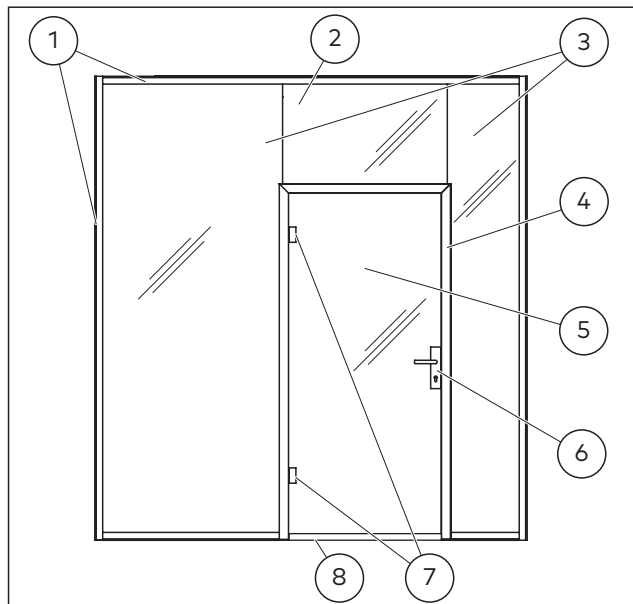


Fig. 2 Example of a UNIQUIN unit

- 1 Ground profile and end profile
- 2 Overpanel
- 3 Side panels
- 4 Door frame system
- 5 Glass door
- 6 Lock with door handle set
- 7 Door hinges
- 8 Drop-down seal

### 3.2 Parts included

The exact delivery quantities and profile lengths may vary depending on the planned combination of the unit components.

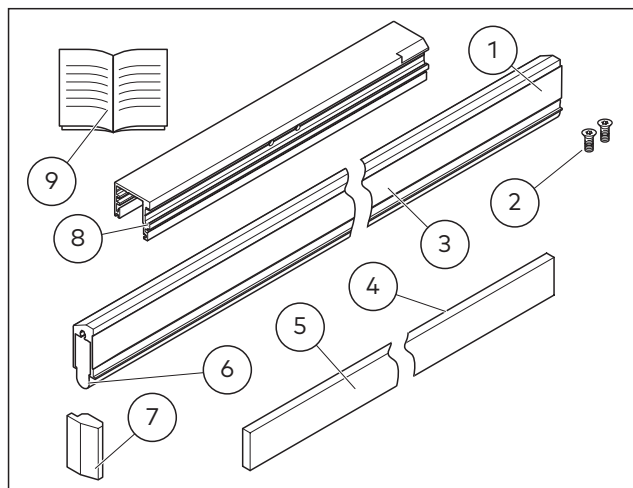


Fig. 3 Example components included in delivery

- 1 Drop-down seal profile
- 2 Screws for the sealing element
- 3 Adhesive strip on the drop-down seal profile
- 4 Covers
- 5 Adhesive strip on the covers
- 6 Sealing element
- 7 Trigger with adhesive strip (optional)
- 8 Prepared door frame cover profile (optional)
- 9 Mounting instructions

### 3.3 Example of a mounted drop-down seal

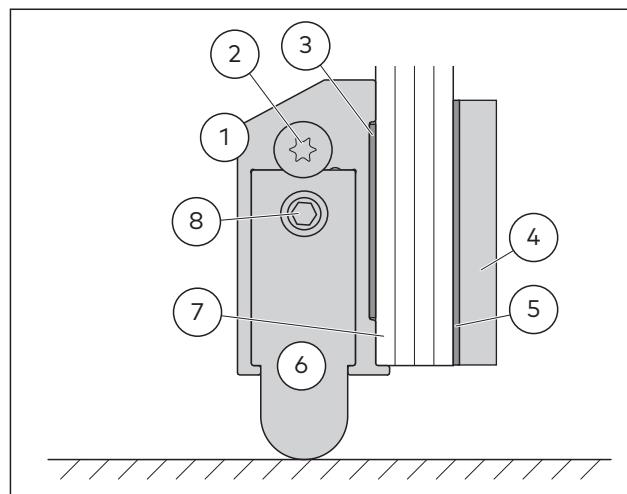


Fig. 4 Example of a mounted drop-down seal on the closed glass door from the view of the secondary closing edge

- 1 Drop-down seal profile
- 2 Screws for the sealing element
- 3 Adhesive strip on the drop-down seal profile
- 4 Covers
- 5 Adhesive strip on the covers
- 6 Sealing element
- 7 Glass door
- 8 Trigger wedge (only at the secondary closing edge)

### 3.4 Technical data

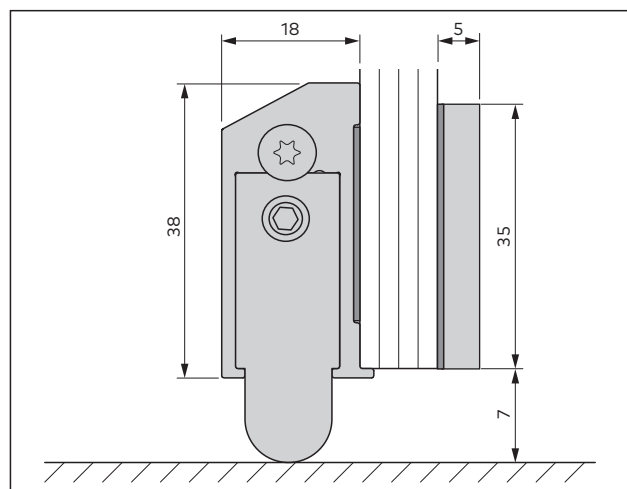


Fig. 5 Dimensions of a mounted and triggered drop-down seal from the view of the secondary closing edge

## 4 Storage and transport

**! ATTENTION**

**Risk of damage during transport.**  
 Unsecured components may be damaged during transport.

- Secure components during transport.

## 5 Mounting preparation

**! CAUTION**

**Risk of injury by crushing.**  
 During mounting, high-weight shearing components can cause finger-crushing injuries.

- Wear protective gloves.

**! ATTENTION**

**Risk of damage to the glass components by contact with hard materials (e.g. glass, metal, concrete).**  
 The contact may cause conchoidal fractures, damage the edges and/or break the glass of the glass components.

- Protect glass edges.
- Replace damaged glass components.

### 5.1 Tools for mounting

- A hexagon socket set
- A Torx T25
- A cutter knife

### 5.2 Prepare mounting

**Requirements**

- The door frame system is mounted.
1. Ensure that the surface of the door is free from contamination, e.g. grease, oil or silicone films.
  2. Make sure that the drop-down seal corresponds to the width of the door on the hinge side (Fig. 6).

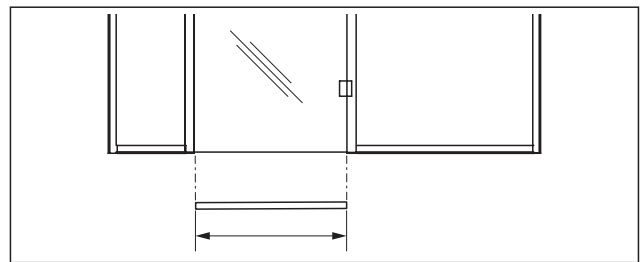


Fig. 6 Align the width of the drop-down seal with the width of the glass door on the hinge side

3. Open the door for further installation stages.
4. Check if the lower cover profile has a milled groove (Fig. 7).

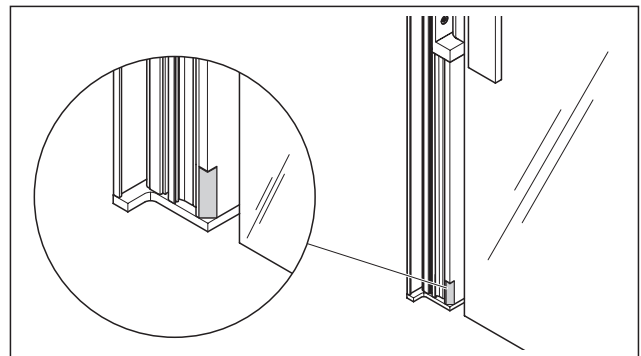


Fig. 7 A prepared cover profile of the door frame with milled groove on the secondary closing edge with the door open

**! TIPS AND RECOMMENDATIONS**

The lower cover profile must have a milled groove so that the drop-down seal can be triggered (Fig. 7).

5. If the lower cover profile does not have a milled groove, replace the door frame's lower cover profile with the door frame's prepared cover profile (Chapter 5.3).

### 5.3 Replace lower cover profile of the door frame

1. Disassemble the seal of the door frame's lower cover profile under the door hinge (Fig. 8).

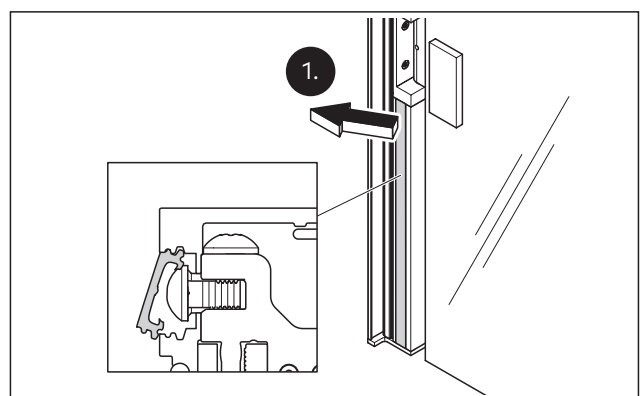


Fig. 8 Disassemble the seal of the door frame's cover profile

2. Retain the seal.

3. Replace the lower cover profile of the door frame under the door hinge with the door frame's prepared cover profile (cf. Fig. 7).
4. Shorten the seal of the door frame's cover profile by 30 mm (Fig. 9).

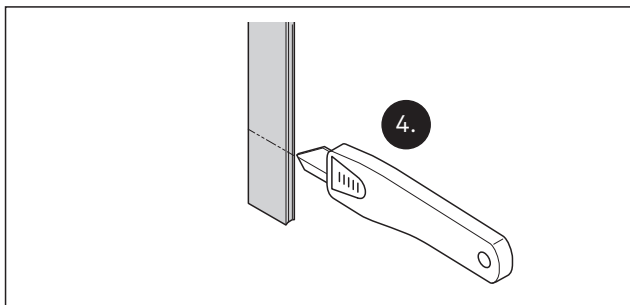


Fig. 9 Shortening the seal to 30 mm

5. Insert the shortened seal in the prepared cover profile flush with the door hinge (Fig. 10).

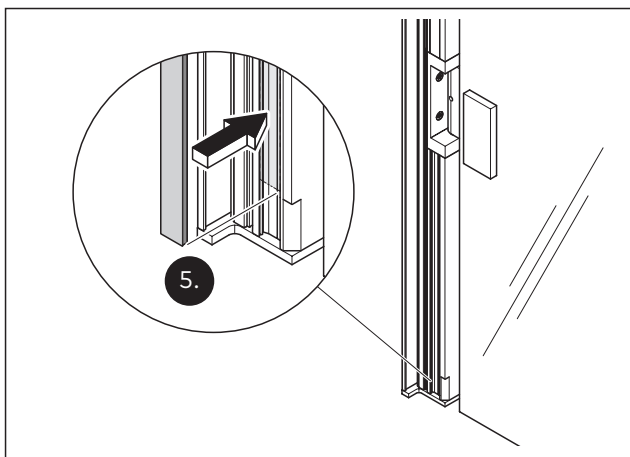


Fig. 10 Insert the shortened sealing element into the prepared cover profile for the door frame under the door hinge

6. If a trigger is not yet mounted, then completely remove the protective film from the adhesive strip on the trigger (Fig. 11).
7. Firmly press the trigger for the trigger wedge below the seal against the cover profile.

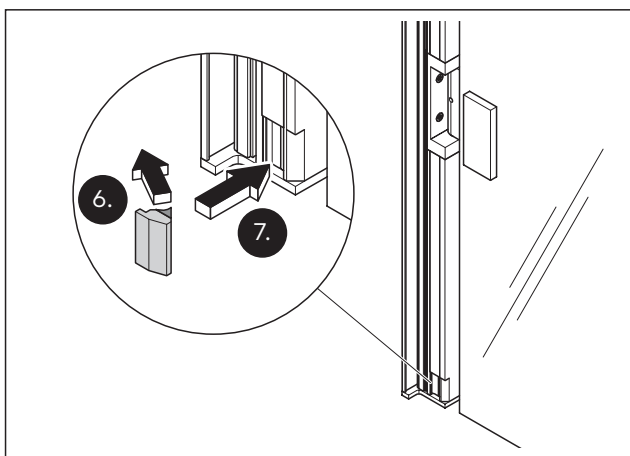


Fig. 11 Remove the protective film and press the trigger

→ **The mounting is prepared.**

## 6 Mounting



### CAUTION

#### Risk of injury by crushing.

During mounting, high-weight shearing components can cause finger-crushing injuries.

- Wear protective gloves.
- Lift glass with vacuum lifter and insert.



### CAUTION

#### Risk of injury from broken glass during mounting.

An incorrect mounting can lead to broken glass and injuries.

- Secure the installation site.
- Carry out the mounting with at least 2 people.
- Wear protective clothing.
- Use vacuum lifting tool.
- Store glass on trestles or wooden blocks and ensure that it cannot fall.



### ATTENTION

#### Risk of damage to the glass components by contact with hard materials (e.g. glass, metal, concrete).

The contact may cause conchoidal fractures, damage the edges and/or break the glass of the glass components.

- Protect glass edges with spacers.
- Do not install damaged glass components.



### TIPS AND RECOMMENDATIONS

Follow the mounting sequence of all unit components in strict accordance with the system manual and mounting instructions for the mounting profile.



### TIPS AND RECOMMENDATIONS

If possible, mount the drop-down seal on a dismantled door laid out horizontally and wait for the adhesive strip's ultimate bond strength before installing the door.



### TIPS AND RECOMMENDATIONS

Mount the product on the inner (hinge) side.

## 6.1 Mount drop-down seal

### Requirement

- The mounting preparation is completed.

1. Align the sealing element in the drop-down seal profile so that the trigger wedge is positioned at the secondary closing edge during mounting (Fig. 14).
2. Fix the sealing element in the drop-down seal's profile on each side with a screw (Fig. 12).

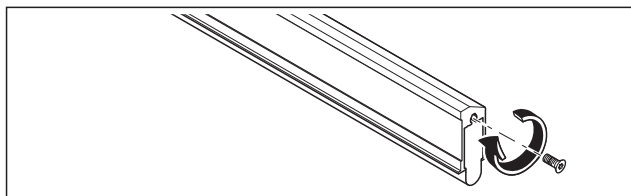


Fig. 12 Fix the sealing element with screws on the drop-down seal's profile

3. Completely remove the protective film from the adhesive tape (Fig. 13).

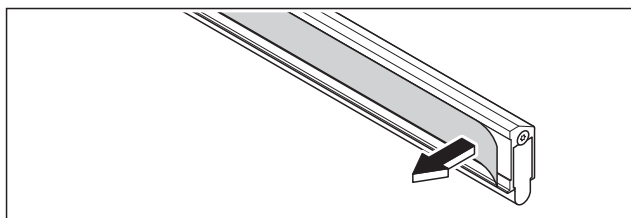


Fig. 13 Completely remove the protective film from the adhesive tape



### TIPS AND RECOMMENDATIONS

Once the adhesive strip has made contact with the door, its position can no longer be corrected (see Chapter 8).

4. Position the drop-down seal's trigger wedge on the trigger's side at the secondary closing edge (Fig. 14).

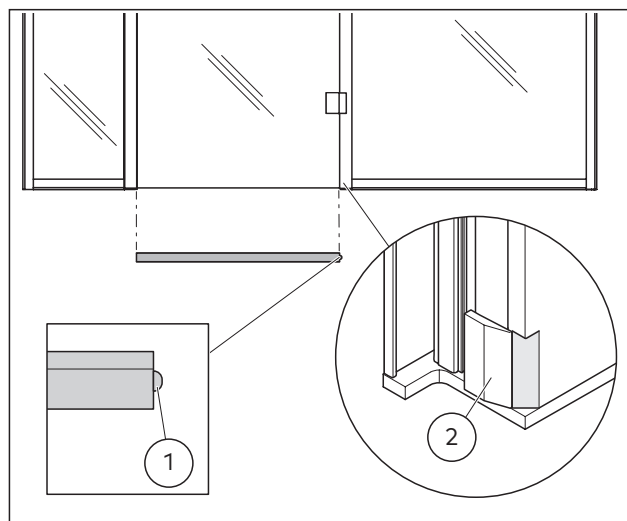


Fig. 14 Position the trigger wedge on the trigger's side at the secondary closing edge

- 1 Trigger wedge
- 2 Trigger in the door frame's cover profile at the secondary closing edge
5. If the door is already mounted, open the door to mount the drop-down seal.
6. Align the drop-down seal on the glass edges of the door to the right and left of the hinge side.
7. Align the drop-down seal with the lower glass edge of the door (Fig. 15).
8. Firmly press the drop-down seal onto the door.

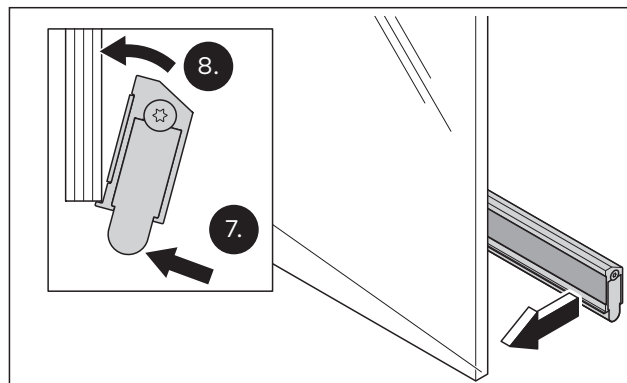


Fig. 15 Attach the drop-down seal to the hinge side

9. Allow the adhesive to cure for at least 30 minutes with the door open so that more than 50% of the bond strength is achieved.



### TIPS AND RECOMMENDATIONS

The adhesive has reached its ultimate bond strength after approx. 72 hours.

10. If the door is not mounted, then mount the door according to the door frame system's mounting instructions.
11. Close the door from the opposite side to the hinge.
12. Completely remove the protective film from the covers.
13. Align the panel with the door's glass edges on the right and left on the opposite side to the hinge (Fig. 16).
14. Align the covers with the lower glass edge of the door.
15. Press the covers firmly onto the door.

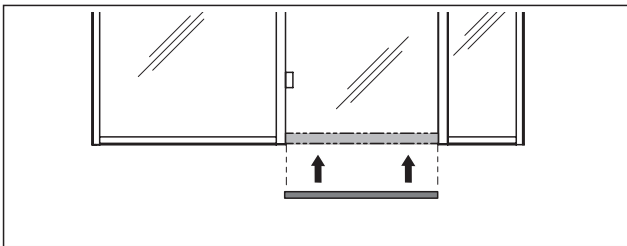


Fig. 16 Attach the covers to the opposite side to the hinge

16. Allow the glue to cure for at least 30 minutes.
17. Carry out a function test and, if necessary, set the drop-down torque (see Chapter 6.2).  
→ **The drop-down seal is mounted.**

## 6.2 Set drop-down torque

### Requirement

- The drop-down seal is mounted.
1. If the drop-down seal triggers too early or too late when closing the door, then adjust the drop-down torque in the trigger wedge with a 3 mm Allen wrench (Fig. 17).



### TIPS AND RECOMMENDATIONS

Adjust the drop-down seal so that the sealing element is lowered without grinding as late as possible when closing the door.

- For an earlier drop-down torque, unscrew the trigger wedge on the hexagon socket screw.
- For a later drop-down torque, screw in the trigger wedge on the hexagon socket screw.

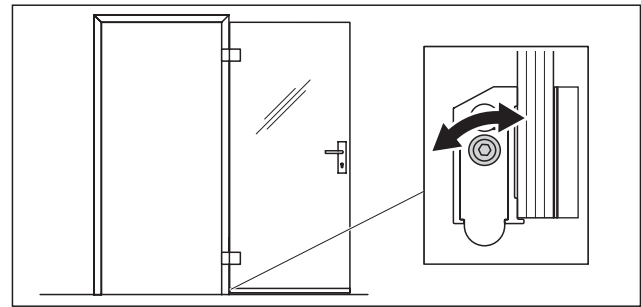


Fig. 17 Set the drop-down torque in the trigger wedge at the secondary closing edge

2. Carry out a function test and, if necessary, set the drop-down torque again.  
→ **The drop-down torque is set.**

## 7 Maintenance and care

### 7.1 Maintenance instructions

The product is largely maintenance-free.

1. Please follow the maintenance instructions for all unit components.
2. Follow the system manual.

### 7.2 Cleaning instructions

Only use suitable cleaning and care products to clean the surfaces.

## 8 Disassembly and disposal



### ATTENTION

#### Property damage when disassembling an adhesive bond.

Disassembling an adhesive bond can cause property damages to the product or the unit.

- Only disassemble the sealing element.

Disassembly is carried out in the reverse order of the mounting instructions and must be done by qualified personnel. When disposing, observe the relevant national standards and guidelines.



Dispose of the product in an environmentally friendly manner.

Electrotechnical parts and batteries must not be disposed of with domestic waste.

Use designated acceptance collection points to

dispose of electro-technical parts and batteries.

Refer to the statutory regulations for your country.

013000 - Translation of the original manual, subject to change without notice