

Moving Details.

Contents

1	About this manual	2	3.6	Clearances	7
1.1	Information about the manual	2	3.7	Opening angle and profiles	7
1.2	Other applicable documents	2	4	Storage and transport	7
1.3	Target group	2	5	Installation preparation	8
1.4	Symbols used	2	5.1	Tools for mounting	8
	1.4.1 Safety instructions	2	5.2	Mount door frame positioner	8
	1.4.2 Further labeling	2	5.3	Prepare the passage opening at the assembly location	10
2	Safety	2	5.4	Installation situations for the door frame mounting	10
2.1	Intended use	2	5.4.1	Cut adapter	10
2.2	Foreseeable misuse	3	5.4.2	Mount the fixed glazing adapter profile	11
3	Product description	3	5.4.3	Mount door frame adapter profiles	11
3.1	Example of a UNIQUIN unit	3	5.5	Attach silicon seals	12
3.2	Product variants	3	6	Mounting	12
3.3	Parts included	3	6.1	Pre-mount base profile for the door frame	13
	3.3.1 Door frame	4	6.2	Mount base profile for the door frame	14
	3.3.2 Door hinges	4	6.3	Mounting the door hinges	15
	3.3.3 Adapter (optional)	4	6.4	Mount overpanel (optional)	17
3.4	Example of a mounted door frame	5	6.5	Seal the joints between the glasses	18
	3.4.1 Example of a mounted door frame positioner	5	6.5.1	Seal joints with silicone	18
	3.4.2 Examples of installation situations	5	6.5.2	Seal joints with double-sided adhesive tape	19
	3.4.2.1 With side panels (overpanel not yet mounted)	5	6.6	Mount the cover profile for the door frame	20
	3.4.2.2 With door frame adapter profiles	6	6.7	Mount glass door	21
	3.4.2.3 With mounting profile and fixed glazing adapter profile	6	6.8	Complete mounting	22
3.5	Technical data	6	7	Maintenance and care	23
	3.5.1 Door frame profile	6	7.1	Maintenance instructions	23
	3.5.2 Door frame positioner	6	7.2	Cleaning instructions	23
	3.5.3 Door frame adapter profiles	6	8	Disassembly and disposal	23
	3.5.4 Fixed glazing adapter profile	7			

Mounting instruction

UNIQUIN

Door frame system



EN

WN 059545 45532

2023-08 / 16734

1 About this manual

1.1 Information about the manual

This manual describes the mounting of a UNIQUIN frame system as part of a UNIQUIN partition system and contains maintenance and care information.

For the complete mounting of the UNIQUIN partition wall unit, further unit components and mounting instructions may be required according to the project-related unit drawing, e.g. for the mounting profile. The illustrated unit components and configurations are exemplary and do not show every possible mounting situation.

1.2 Other applicable documents

Refer to the following technical documents for the product:

- The project-related unit drawing
- The mounting instructions of all unit components
- The UNIQUIN system manual

1.3 Target group

The target group of these mounting instructions is qualified personnel who have been specially trained in glazing installation.

1.4 Symbols used

1.4.1 Safety instructions

Safety instructions are marked with symbols. The safety instructions are introduced by signal words that express the extent of the hazard, e.g.:



WARNING

This signal word indicates a situation of potential risk, which could lead to death or serious injury if not averted.



CAUTION

This signal word indicates a situation of potential risk, which could lead to minor or slight injury if not averted.



ATTENTION

This signal word indicates a situation of potential risk that could lead to damage to property or the environment if not averted.



Note

This signal word indicates useful information for efficient and trouble-free operation.

1.4.2 Further labeling



Step-by-step graphics



Position numbers for parts in diagrams

2 Safety

2.1 Intended use

The product is part of a UNIQUIN unit designed to install and operate a glass door in a passage.

The product may only be mounted with unit components designed by dormakaba for the installation situation and approved according to the project-related unit drawing.

- The product may only be installed undamaged and in accordance with the requirements of the assembly location.
- The product may only be mounted by qualified personnel who correspond to the defined target group.
- Only toughened safety glass (TSG) or laminated safety glass (LSG) made of TSG may be installed with the product.
- The use of other composites must be checked by the designer or contractor and the stability assured.
- The product may only be attached to a surface capable of bearing loads using suitable fixing materials.
- The product is only suitable for indoor use.
- The product is suitable for use in tropical countries.

2.2 Foreseeable misuse



WARNING

Danger to life due to falling glass.

Falling glass can lead to life-threatening injuries.

- Glass should not be suspended.
- Mount glass with at least 2 persons.
- Secure glass using the correct methods.
- Follow correct installation sequence.
- Glass clamping pieces on the base profile are not load-bearing.

- The product is not suitable for outdoor mounting.
- The product is not suitable for mounting in the vicinity of showers, saunas, swimming and salt-water bath or rooms in which chemicals (e.g. chlorine) are used.

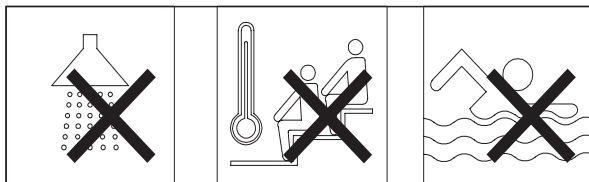


Fig. 1 Not suitable for showers, saunas, baths or salt-water baths

3 Product description

3.1 Example of a UNIQUIN unit

This UNIQUIN unit is an example of a UNIQUIN partition wall unit. Further combinations with other unit components, e.g. with an acoustic element, a door closer or a sliding door are possible.

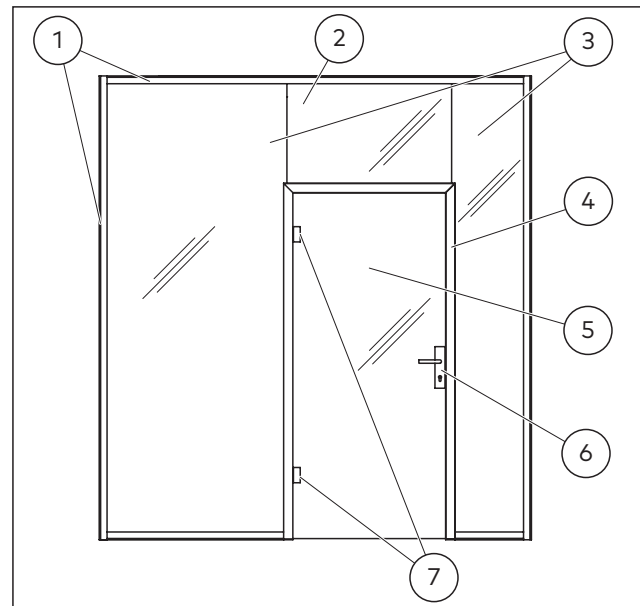


Fig. 2 Example of a UNIQUIN unit

- (1) The mounting profile's base profile and cover profile
- (2) Overpanel
- (3) Side panel
- (4) Door frame
- (5) Door leaf
- (6) Lock with door handle set
- (7) Door hinges

3.2 Product variants

There is a door frame adapter profile for the door frame's direct wall connection.

There is a fixed glazing adapter profile to connect the door frame to a mounting profile without glass.

3.3 Parts included

The exact delivery quantities and profile lengths vary depending on the product variant or the planned combination of the unit components. The glass is not part of the delivery. The profiles can come in warehouse length, fixed length or in fixed length with oversize.

3.3.1 Door frame

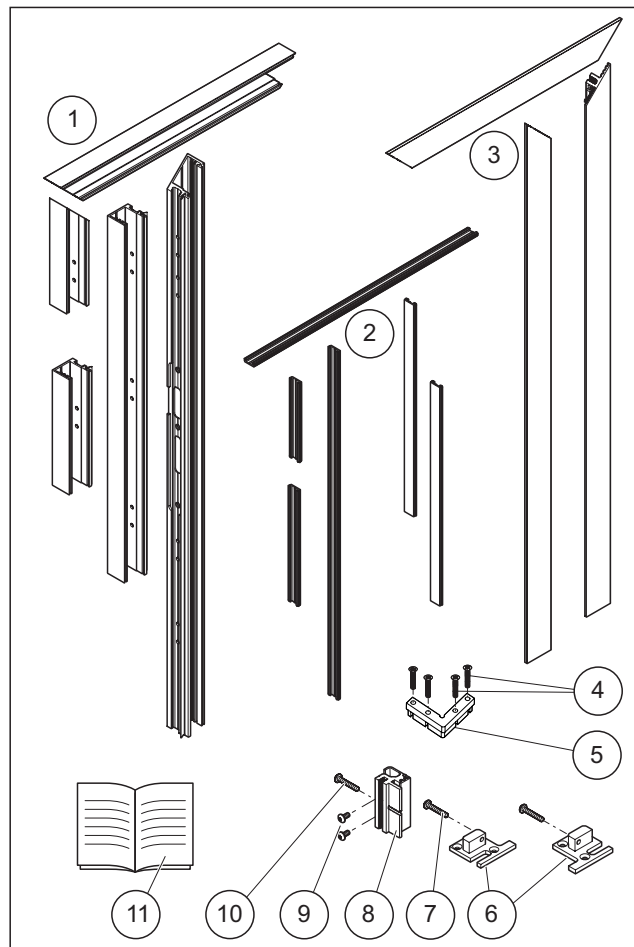


Fig. 3 Parts included for a door frame

- (1) Cover profiles for the door frame
- (2) Silicone seals for the door frame
- (3) Base profiles for the door frame
- (4) Screws for the brackets
- (5) Brackets for the base profile
- (6) Door frame positioner
- (7) Screws for the door frame positioner
- (8) Frame clamping piece
- (9) Screws to fasten the cover profile
- (10) Screws to fasten the frame clamping piece
- (11) Mounting instructions

3.3.2 Door hinges

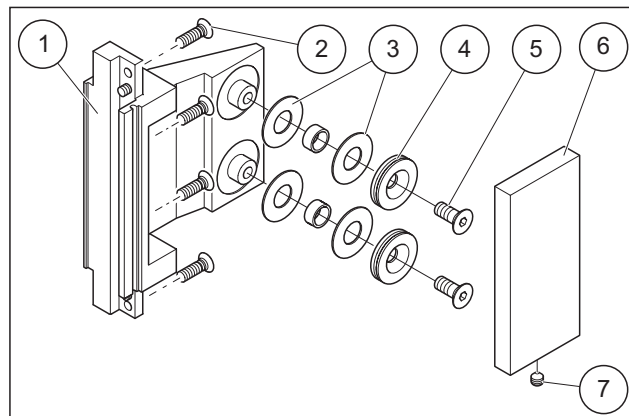


Fig. 4 Parts included for a door hinge

- (1) Door hinge
- (2) Screws for the door hinge
- (3) Gaskets as glass protection
- (4) Holding plates
- (5) Screws for the door leaf
- (6) Covers
- (7) Grub screw for the covers

3.3.3 Adapter (optional)

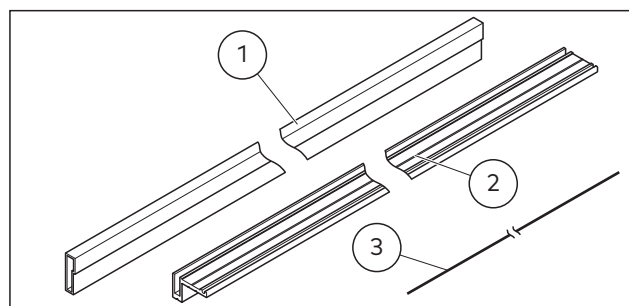


Fig. 5 Parts included for the adapters

- (1) Fixed glazing adapter profile (optional)
- (2) Door frame adapter profile (optional)
- (3) Silicone seal for the door frame adapter profile

3.4 Example of a mounted door frame

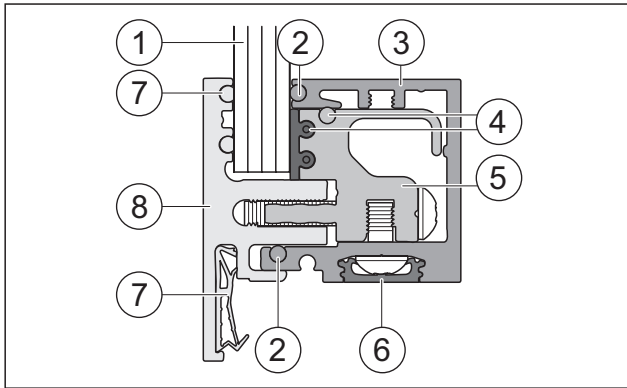


Fig. 6 Example of a mounted door frame

- (1) Side panel, e.g., glass
- (2) Silicone seals for the cover profile
- (3) Cover profile for the door frame (hinge side)
- (4) Silicone seals for the frame clamping piece
- (5) Frame clamping piece
- (6) Silicone seal inside
- (7) Silicone seals for the base profile
- (8) Base profile for the door frame (opposite side to the hinge)

3.4.1 Example of a mounted door frame positioner

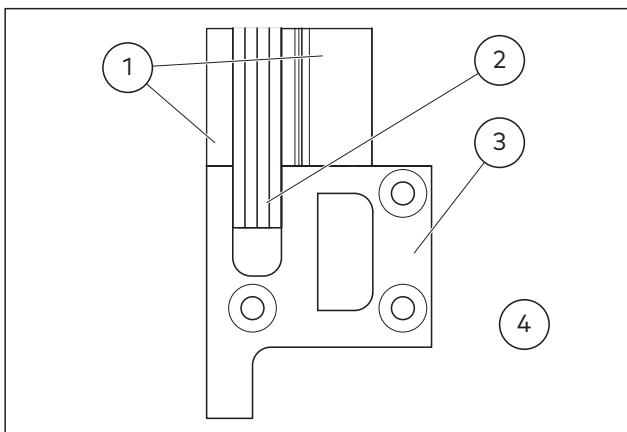


Fig. 7 Door frame positioner for floor mounting on the horizontal mounting profile

- (1) Mounting profile horizontal on the ground
- (2) Side panel with excess length $18\text{ mm} \pm 1\text{ mm}$, e.g., glass
- (3) Door frame positioner
- (4) Hinge side (inside)

3.4.2 Examples of installation situations

3.4.2.1 With side panels (overpanel not yet mounted)



WARNING

Danger to life due to falling glass.

Falling glass can lead to life-threatening injuries.

- Glass should not be suspended.
- Secure glass using the correct methods.
- Follow correct installation sequence.
- Glass clamping pieces on the base profile are not load-bearing.

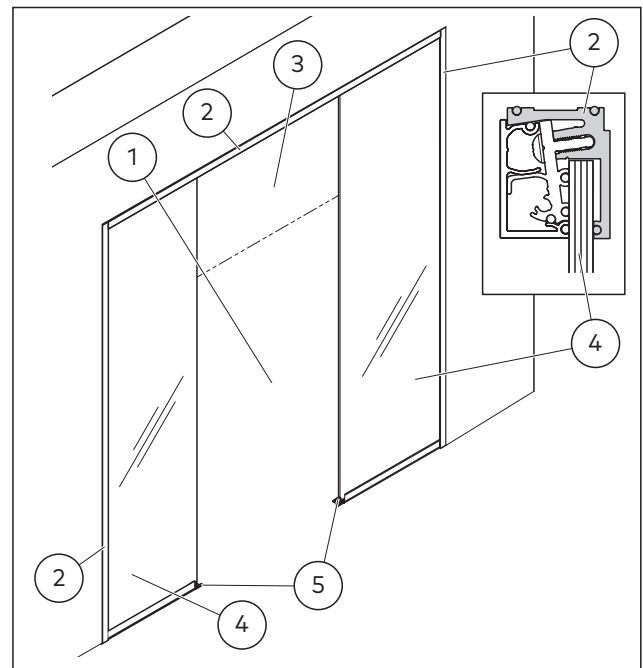


Fig. 8 Installation situation between glass elements and with planned overpanel as an example

- (1) Passage opening for a door frame with door
- (2) The mounting profile's base profile
- (3) Opening for a planned overpanel (may only be mounted on a load-bearing door frame, see Chapter 6.4)
- (4) Side panels, e.g. glass
- (5) Door frame positioner

3.4.2.2 With door frame adapter profiles

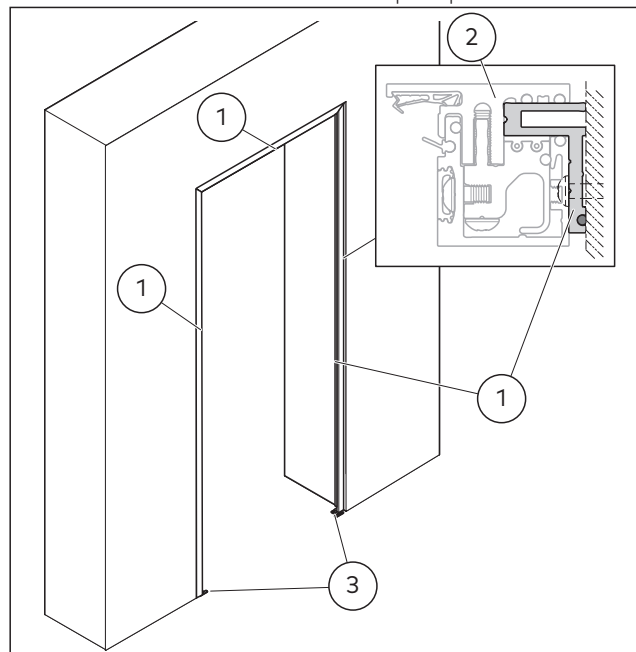


Fig. 9 Example of an installation situation with direct wall connection without mounting profile

- (1) Door frame adapter profile for mounting the door frame
- (2) Door frame
- (3) Door frame positioner

3.4.2.3 With mounting profile and fixed glazing adapter profile

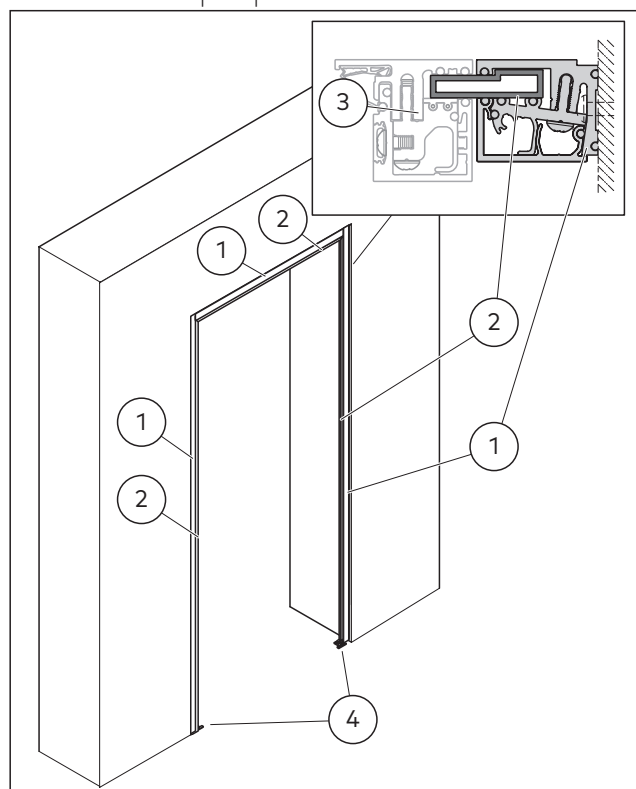


Fig. 10 Example of an installation situation with mounting profile and fixed glazing adapter profile

- (1) Mounting profile
- (2) Fixed glazing adapter profile for mounting the door frame
- (3) Door frame
- (4) Door frame positioner

3.5 Technical data

3.5.1 Door frame profile

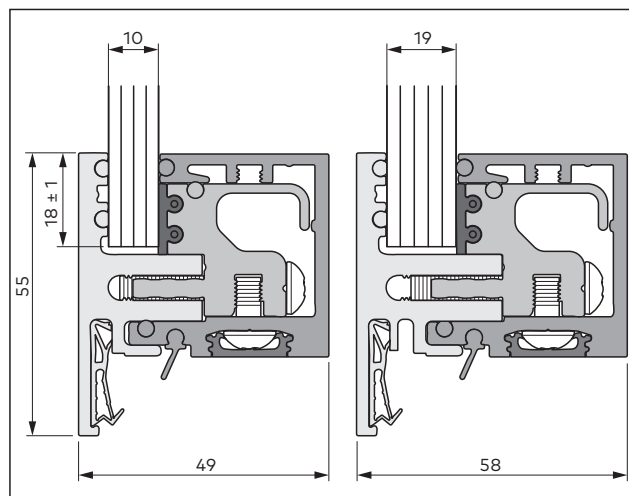


Fig. 11 Dimensions of the mounted door frame with side panels of different thicknesses

3.5.2 Door frame positioner

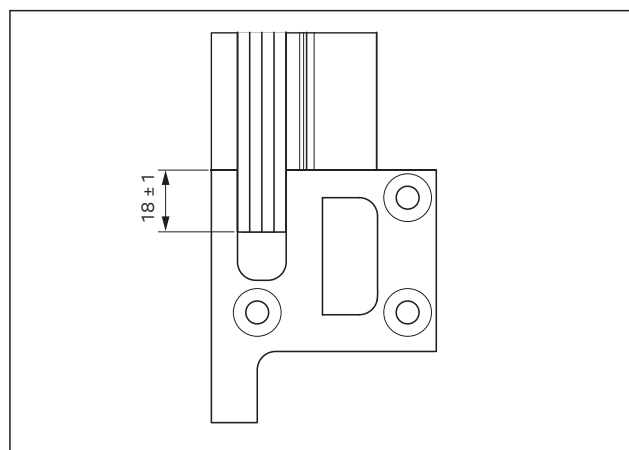


Fig. 12 Door frame positioner for floor mounting on the horizontal mounting profile

3.5.3 Door frame adapter profiles

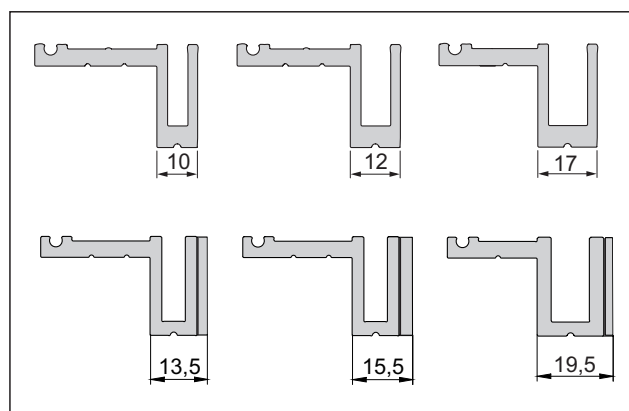


Fig. 13 Door frame adapter profile dimensions

3.5.4 Fixed glazing adapter profile

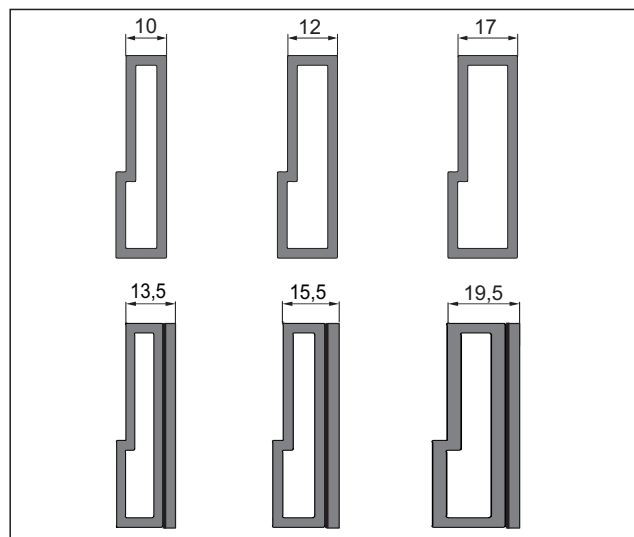


Fig. 14 Fixed glazing adapter profile dimensions

3.6 Clearances

The following clearances are to be observed during mounting:

- Glass bite in the door frame 18 mm ± 1 mm (Fig. 11)
- Between glass door leaf and door frame on both sides 3.5 mm ± 0.5 mm (Fig. 15)
- Between glass door leaf and finished floor level (FFL) 7 mm ± 1 mm (Fig. 15)

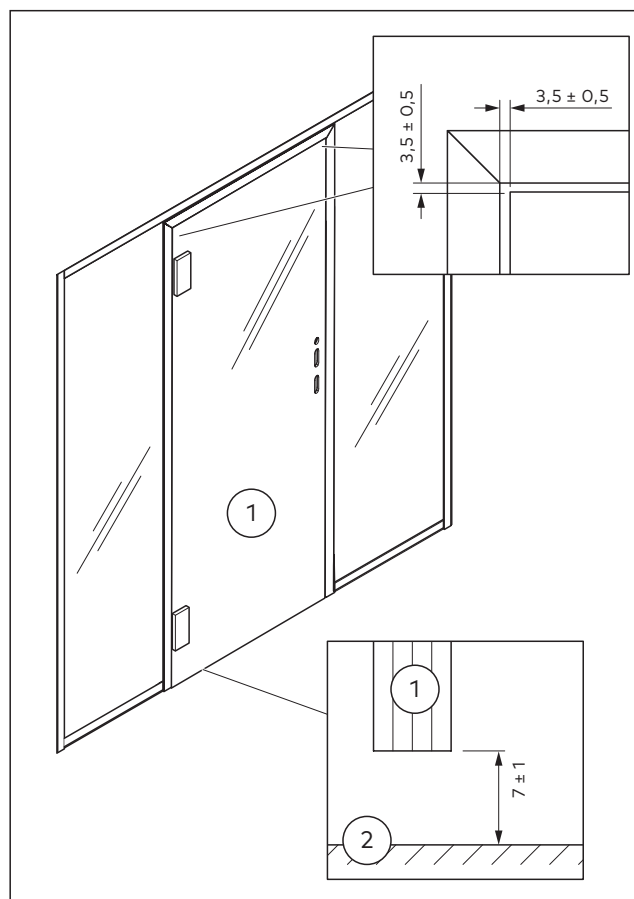


Fig. 15 Clearances in the door frame system

- (1) Glass door
(2) Finished floor level (FFL)

3.7 Opening angle and profiles

- Max. opening angle 180° in an installation situation with base profile and fixed glazing adapter profiles or in glass elements
- Max. opening angle 120° in an installation situation with door frame adapter profiles

Glass thickness (mm)	Mounting profile	Adapter profile (mm)
10	46 mm: 10-13.5	10
10.76	46 mm: 10-13.5	10
11.52	46 mm: 10-13.5	12
12	46 mm: 10-13.5	12
12.76	46 mm: 10-13.5	12
13.52	46 mm: 10-13.5	10+3+accessories kit
15	46 mm: 14-18	12+3+accessories kit
16.76	46 mm: 14-18	17
17.52	46 mm: 14-18	17
17.52	55 mm: 16-19	17
19	55 mm: 16-19	17+2+accessories kit

4 Storage and transport



CAUTION

Risk of crushing and collision due to unsecured components.

Unsecured components can lead to crushing or impact injuries during transport.

- Wear personal protective equipment.
- Secure components adequately during transport.



ATTENTION

Risk of damage to the glass components by contact with hard materials (e.g. glass, metal, concrete).

The contact may cause conchoidal fractures, damage the edges and/or break the glass of the glass components.

- Protect glass edges with spacers.
- Do not install damaged glass components.



ATTENTION

Risk of damage during transport.

Unsecured components may be damaged during transport.

- Secure components adequately during transport.

5 Installation preparation



CAUTION

Risk of injury from toppling objects.

- Toppling unsecured components can cause injury.
- Wear personal protective equipment.
 - Store and mount objects in a tilt-proof manner.



CAUTION

Risk of injury from toppling objects.

- Toppling unsecured components can cause injury.
- Wear personal protective equipment.
 - Store and mount objects in a tilt-proof manner.



CAUTION

Risk of injury by crushing.

- During mounting, high-weight shearing components can cause finger-crushing injuries.
- Wear protective gloves.
 - Lift glass with vacuum lifter and insert.



CAUTION

Risk of injury due to sharp edges.

- Touching cut edges may result in cuts.
- Secure cut edges against contact.
 - Wear protective gloves.
 - Deburr cutting edges.
 - Blunt edges, e.g. with silicone.



CAUTION

Risk of injury from broken glass during mounting.

- Incorrect mounting can lead to broken glass and cause injuries.
- Secure the installation site.
 - Carry out the mounting with at least 2 people.
 - Wear protective clothing.
 - Use vacuum lifting tool.
 - Store glass on trestles or wooden blocks and ensure that it cannot fall.



CAUTION

Risk of injury due to insufficient unstable attachment.

- Components must be attached in a sufficiently stable manner. The glass clamping pieces on the base profile are not load-bearing.
- Only use components planned and approved by dormakaba according to the project-related unit drawing.
 - Only mount the glasses on a load-bearing surface with wooden blocks.
 - Do not suspend glass.
 - A silicone joint for the floor attachment is insufficient.



Note

Strict observance of the mounting sequence for all unit components is recommended.

5.1 Tools for mounting

- Straight and miter saw
- Torx angle screwdriver
- Spirit level
- Hexagon socket set
- Drilling machine
- Vacuum lifting tool
- Wooden blocks
- Spacer
- Torque wrench
- Knife or scissors
- Cordless hand drill

5.2 Mount door frame positioner

Requirements

- The mounting profiles may be mounted if necessary.
- The planned side panels are not yet mounted.

1. Mark the unit's alignment (Fig. 16) on the ground, e.g. with a chalk line.

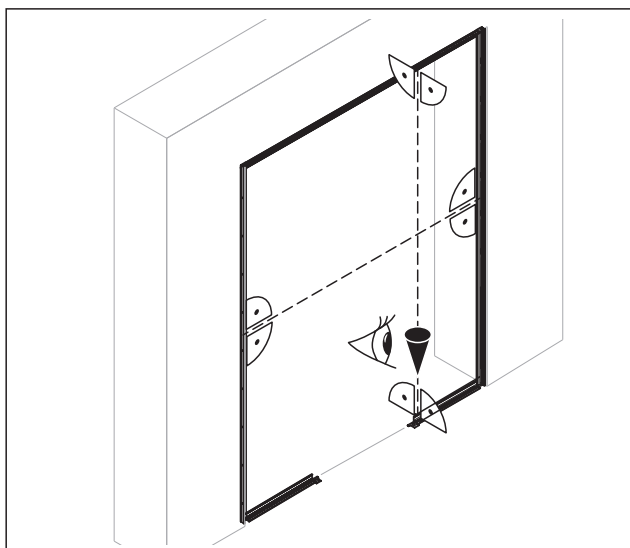


Fig. 16 Mark the unit alignment

- Match the dimensions for the door frame's installation from the project-related unit drawing with the assembly location (Fig. 17).

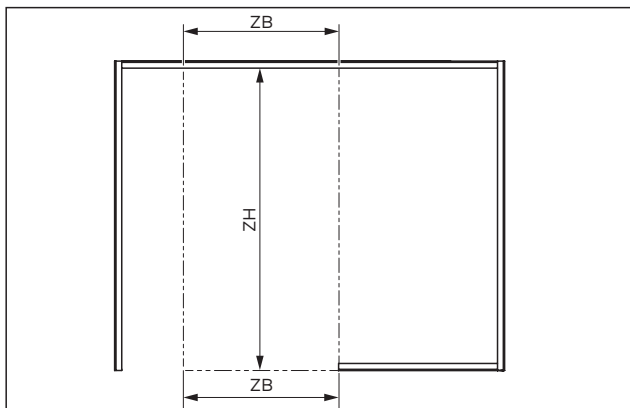


Fig. 17 Example of the dimensions for installing the door frame at the assembly location

FW Door frame width
FH Door frame height

- Align the door frame positioners according to the door frame width (FW) and flush with the unit's alignment on both sides of the passage opening (Fig. 18).
- Align the door frame positioner horizontally at the same height.
- Mark the drill holes of the door frame positioner on the ground.

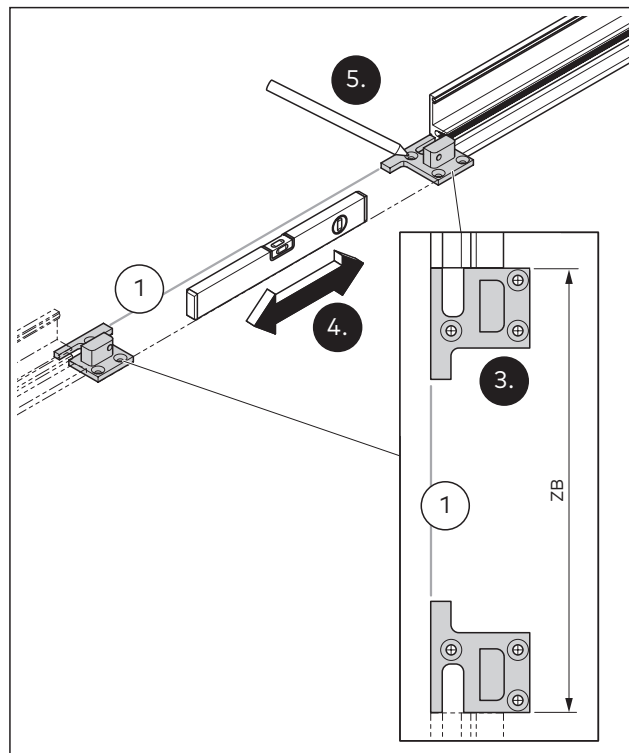


Fig. 18 Align the door frame positioners

- Unit alignment



Note

The holes in the door frame positioner have a diameter of 5 mm, the countersunk has a diameter of 10.4 mm.

- Drill the holes as needed into the floor.
- Install the required fixing materials in the drill holes, e.g. dowels.
- If necessary, correct the unevenness in the ground properly, e.g. with underlay.

9. Align the door frame positioners (Fig. 19).
10. Secure the door frame positioners in all drill holes.

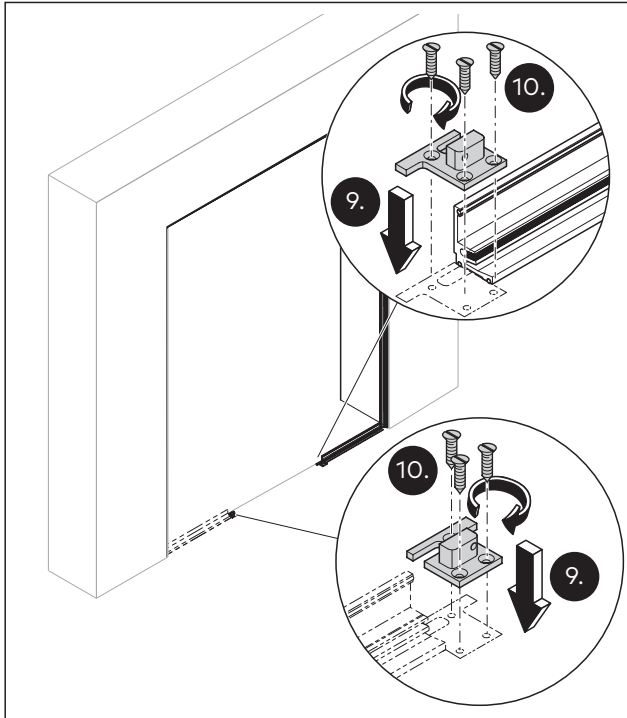


Fig. 19 Example of attaching the door frame positioner to a mounting profile from the viewpoint of the hinge side

11. If necessary, continue mounting the mounting profile's base profiles according to the mounting profile's mounting instructions.

→ The door frame positioners are mounted.

5.3 Prepare the passage opening at the assembly location

Requirements

- The door frame positioners are mounted.
 - The planned side panels are not yet mounted.
1. If the door frame is to be mounted on side panels, then mount the corresponding side panels according to the mounting profile's mounting instructions.
 2. Match the determined dimensions with the project-related unit drawing.
 3. Make sure that the tolerances (see Chapters 3.5 and 3.6) are observed.
 4. Make sure all parts are mounted parallel to each other.
 5. Make sure parts are mounted on corner joints at 90° to each other.
 6. Determine the dimensions for adapters that may be required.
- The passage opening at the assembly location has been prepared and tested.

5.4 Installation situations for the door frame mounting

Requirement

- The passage opening at the assembly location is prepared.

In order for the door frame to be mounted, one of the predefined installation situations (see Chapter 3.5) must be made possible on each side of the passage opening.



Note

Combinations of different assembly locations in a passage opening are possible, e.g. side panel left, fixed glazing adapter profile top and door frame adapter profiles right.



Note

The fixed glazing adapter profiles or door frame adapter profiles always create an installation situation which corresponds to the installation situation with side panels e.g. made of glass.

5.4.1 Cut adapter

Requirement

- The adapters are required.



Note

If the adapters are to be mounted on corner joints, then measure the cut edges on the miter and cut.

1. Follow the mounting profile's mounting instructions.
 2. Mark the cutting marks on the appropriate adapters according to the dimensions determined at the assembly location.
 3. Cut the adapters at the cutting marks with a suitable hacksaw.
 4. Deburr and, if necessary, blunt the cut edges without damaging the coating, which is still visible after mounting
- The adapters are cut as needed.

5.4.2 Mount the fixed glazing adapter profile

Requirements

- The adapters are cut as needed.
- The fixed glazing adapter profiles are required.

1. Position the fixed glazing adapter profiles (Fig. 20).

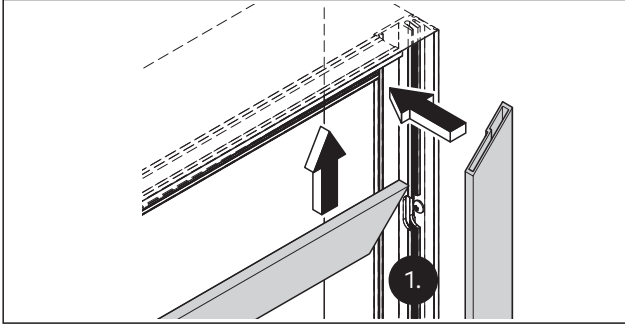


Fig. 20 Example of the fixed glazing adapter profile mounting on corner joint with miter

2. Screw the fixed glazing adapter profiles with at least 3 glass clamping pieces per meter with a torque of 5 Nm (Fig. 21).

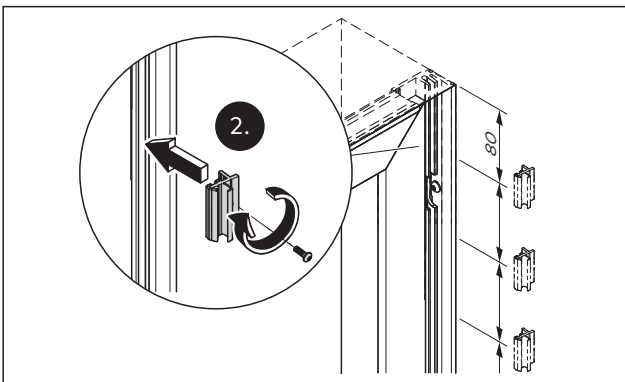


Fig. 21 Screw the fixed glazing adapter profile

→ The fixed glazing adapter profiles are mounted.

5.4.3 Mount door frame adapter profiles

Requirements

- The adapters are cut as needed.
- Door frame adapter profiles are required.

1. Align the door frame adapter profile vertically in the passage according to the approval drawing (Fig. 22).
2. Mark all predetermined drill holes of the wall connection profile on the floor.

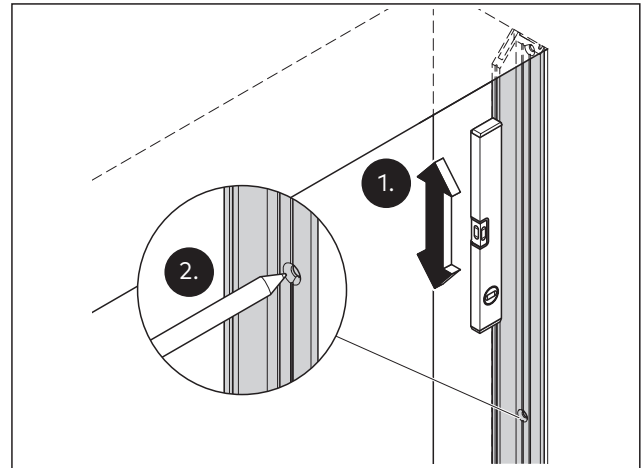


Fig. 22 Mark the drill holes of the door frame adapter profile on the floor



Note

The hole in the door frame adapter profile has a diameter of 6.5 mm, the countersink has a diameter of 12 mm.

3. Drill the holes in the floor.
4. If necessary, insert the required fixing materials into the boreholes, e.g. dowels.
5. If necessary, underlay any unevenness in the floor.
6. Align the door frame adapter profile (Fig. 23).
7. Fix the door frame adapter profile to all drill holes.

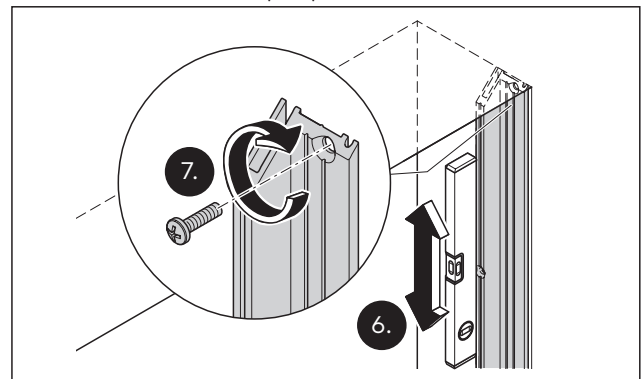


Fig. 23 Align and fix the door frame adapter profile

8. Mount all other door frame adapter profiles accordingly.
9. If the sound insulation requirements are high, siliconize the profile edges and impact areas from the inside (Fig. 24).

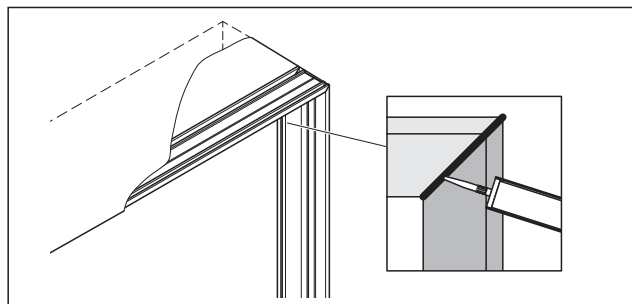


Fig. 24 Siliconize the profile edges and impact areas from the inside

→ The door frame adapter profiles are mounted.

5.5 Attach silicon seals

1. Provide all profiles with silicone seals before mounting (see Chapter 3.4).



Note

The inner silicone seals (Fig. 6, pos. 6) are only attached when mounting the cover profile for the door frame (Chapter 6.6) above the screws in the passage.

2. If necessary, cut the silicone seals to size as needed (Fig. 25).

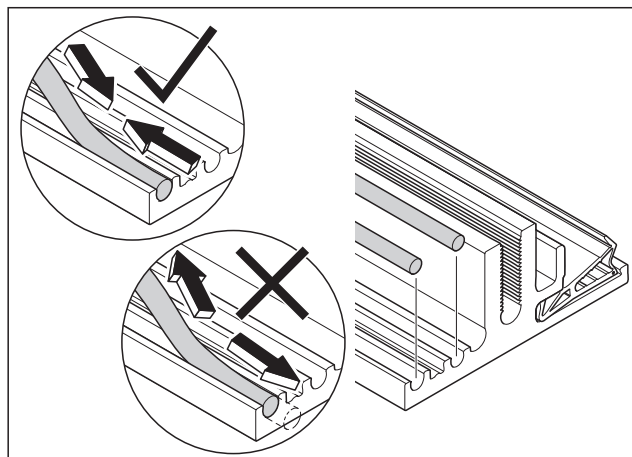


Fig. 25 Example of attaching silicone seals to a profile

The silicon seals are attached

6 Mounting



WARNING

Danger to life due to falling glass.

Falling glass can lead to life-threatening injuries.

- Glass should not be suspended.
- Mount glass with at least 2 persons.
- Secure glass using the correct methods.
- Follow correct installation sequence.
- Glass clamping pieces on the base profile are not load-bearing.



CAUTION

Risk of injury from toppling objects.

Toppling unsecured components can cause injury.

- Wear personal protective equipment.
- Store and mount objects in a tilt-proof manner.



CAUTION

Risk of injury by crushing.

During mounting, high-weight shearing components can cause finger-crushing injuries.

- Wear protective gloves.
- Lift glass with vacuum lifter and insert.



CAUTION

Risk of injury due to sharp edges.

Touching cut edges may result in cuts.

- Secure cut edges against contact.
- Wear protective gloves.
- Deburr cutting edges.
- Blunt edges, e.g. with silicone.

**CAUTION****Risk of injury due to heavy weight.**

Lifting heavy components can result in injury.

- Lift heavy components together with several people and with suitable lifting device.

**CAUTION****Risk of injury from broken glass during mounting.**

Incorrect mounting can lead to broken glass and injuries.

- Secure the installation site.
- Mount glass with at least 2 persons.
- Wear protective clothing.
- Use vacuum lifting tool.
- Store glass on trestles or wooden blocks and ensure that it cannot fall.

**CAUTION****Risk of injury due to insufficient unstable attachment.**

Components must be attached in a sufficiently stable manner. The glass clamping pieces on the base profile are not load-bearing.

- Only use components planned and approved by dormakaba according to the project-related unit drawing.
- Only mount glass on load-bearing floor with wooden blocks.
- Do not suspend glass.
- A silicone joint for the floor attachment is insufficient.

**Note**

Strict observance of the mounting sequence for all unit components is recommended.

**Note**

It is recommended that the fixed elements are mounted from one side to the other, e.g. beginning at the wall and over to a door frame, while following the unit components' mounting sequence.

Requirement

- The mounting preparation is completed.

6.1 Pre-mount base profile for the door frame

1. Prepare the base profile for the door frame in the 90° bracket for pre-mounting (Fig. 26).
2. Place the brackets in the base profile's groove for the door frame.

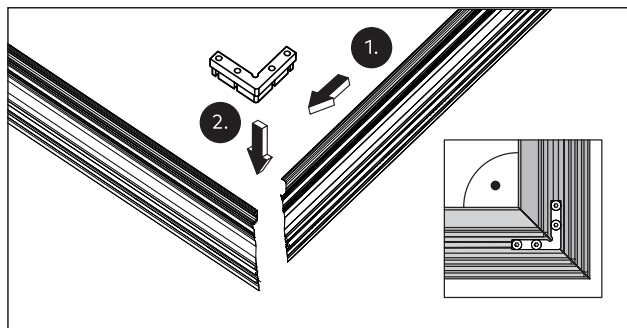


Fig. 26 Place the brackets in the base profile for the door frame

3. Make sure that the base profile's joints for the door frame on the outside meet the optical requirements.
4. Screw the brackets with the M5x10 screws in the base profile for the door frame using a hexagon socket wrench (Fig. 27).

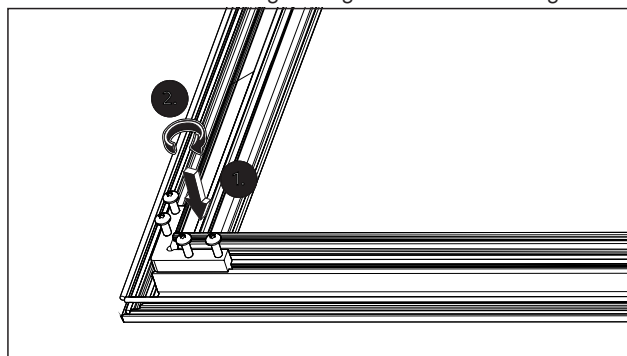


Fig. 27 Screw the brackets in the base profile for the door frame

**Note**

- For silicone use a permanently elastic and UV-resistant silicone.
- Use an LSG-compatible silicone to siliconize LSG glazing.

- When mounting in a soundproofing unit, siliconize all impact areas from the inside (Fig. 28).

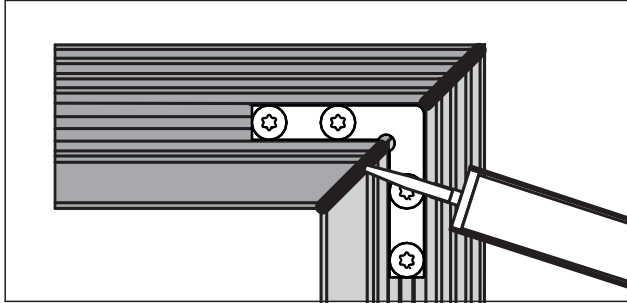


Fig. 28 Siliconize the impact areas from the inside

The base profile for the door frame is pre-mounted.

6.2 Mount base profile for the door frame

Requirement

- The base profile for the door frame is pre-mounted.



Note

The following description shows an example of the installation situation between 2 side panels made of glass and under a fixed glazing adapter profile.

- Place the base profile for the door frame from the opposite side to the hinge into the passage opening (Fig. 29).
- Align the base profile for the door frame.

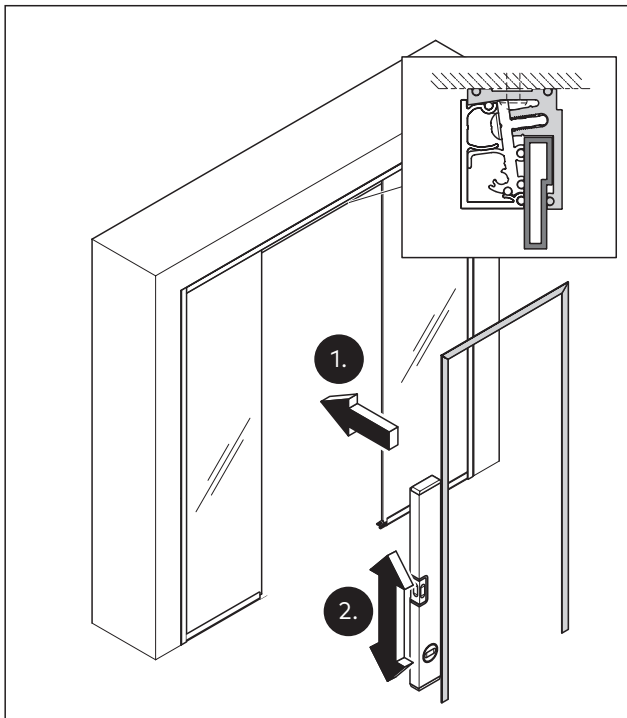


Fig. 29 Set the base profile for the door frame from the opposite side to the hinge into the passage opening

- Keep the cover profiles for the door frame on the hinge side on the base profile for the door frame (Fig. 30).
- Mark the position for all frame clamping pieces based on the pre-drilled holes in the cover profiles for the door frame.



Note

The frame clamping piece must be mounted just below the pre-drilled holes of the cover profiles for the door frame so that the cover profiles for the door frame can be fixed into the frame clamping pieces with screws later.

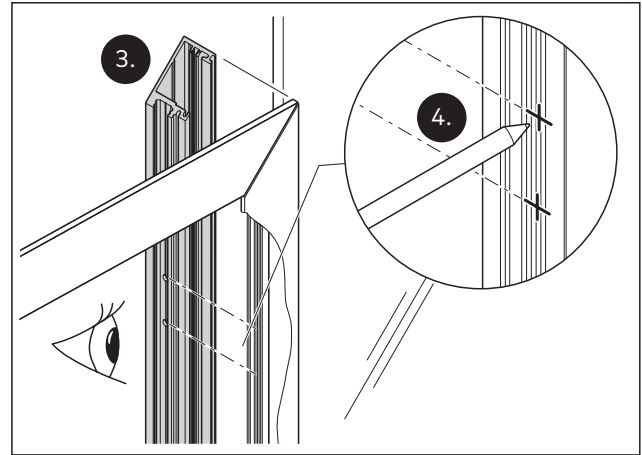


Fig. 30 Determine the position of the frame clamping piece from the viewpoint of the opposite side to the hinge

- Align the base profile for the door frame (Fig. 31).
- Attach the frame clamping pieces on the hinge side to the indicated position with a torque of 5 Nm.

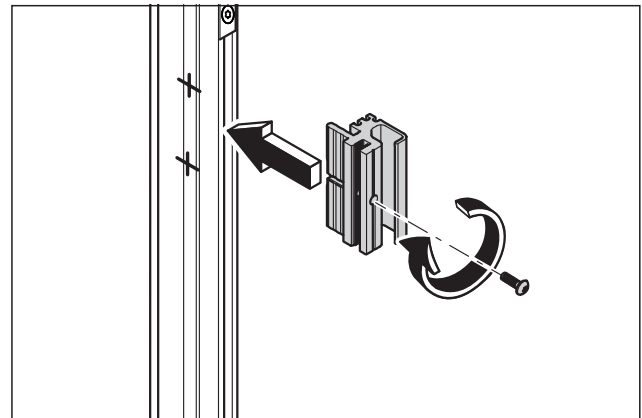


Fig. 31 Attach the frame clamping pieces on the hinge side.



Note

When mounted with a overpanel, the door frame is fixed horizontally above the overpanel mounting (see Chapter 6.4).

- Fix the base profile for the door frame horizontally with the frame clamping pieces at the top.

8. Connect the door frame with the door frame positioners (Fig. 32).

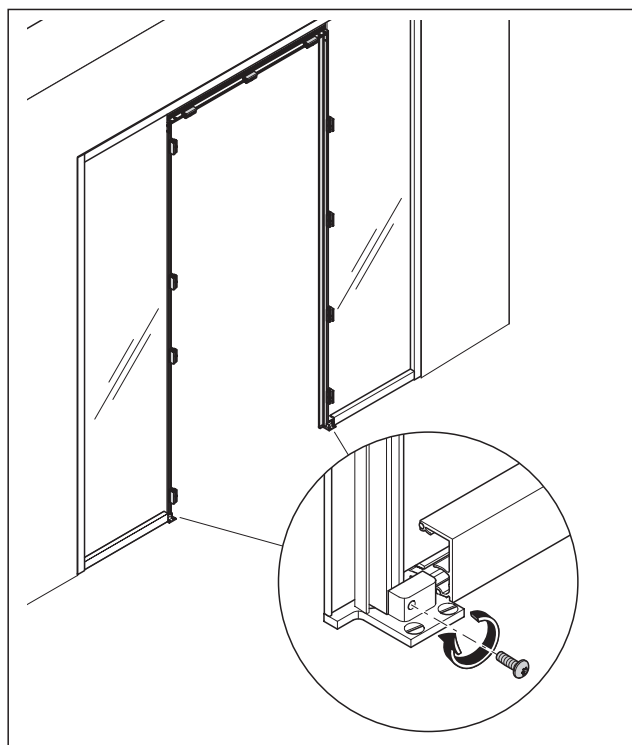


Fig. 32 Connect the base profile for the door frame with the door frame positioners

The base profile for the door frame is mounted.

6.3 Mounting the door hinges

1. Place the first door hinge on the first vertical section of the cover profile for the door frame (Fig. 33).
2. Place the first section of the cover profile for the door frame with the first door hinge on the base profile for the door frame and the door frame positioner.

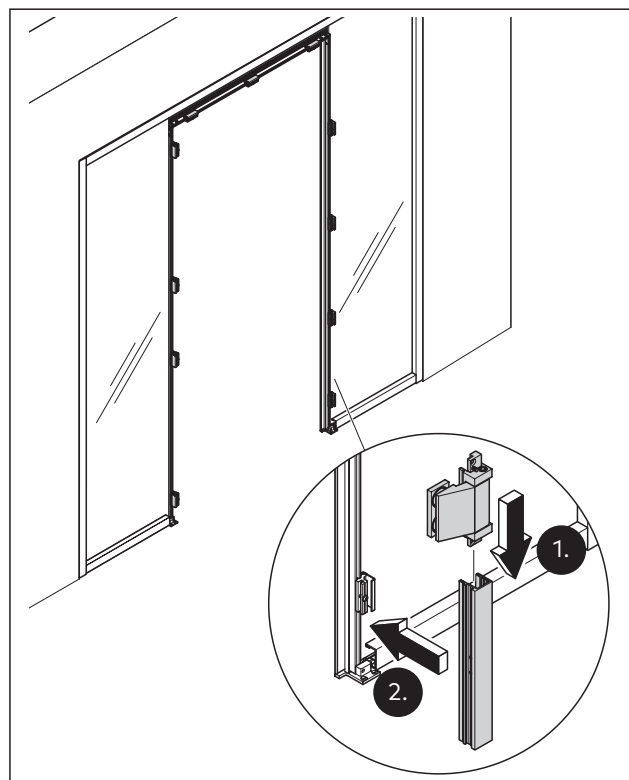


Fig. 33 Insert the first section of the cover profile for the door frame and the door hinge

3. Align the door hinge's alignment with the cover profile for the door frame's alignment (Fig. 34).

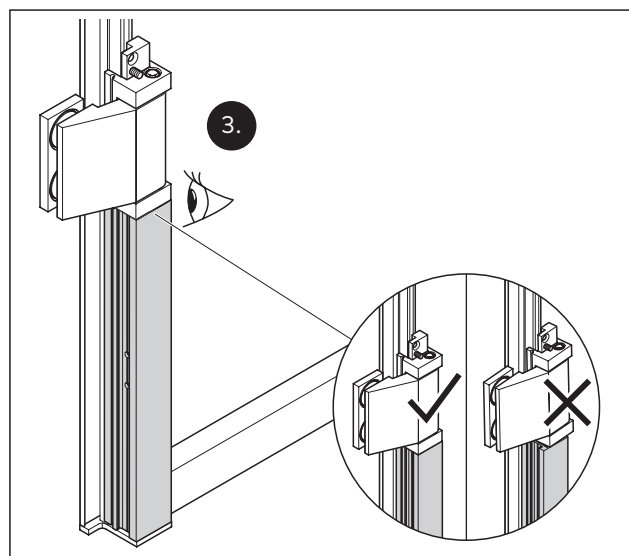


Fig. 34 Align the door hinge's alignment with the cover profile for the door frame

4. Open the door hinge without changing the position (Fig. 35).
5. Remove the cover profile for the door frame without changing the hinge position.

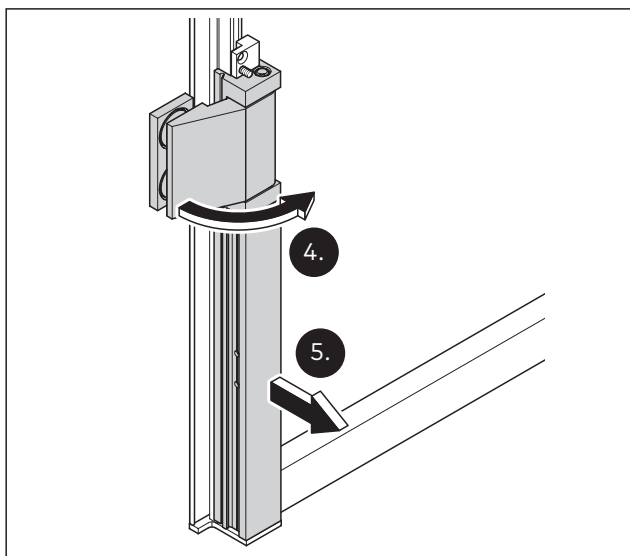


Fig. 35 Open the door hinge and remove the cover profile

6. Make sure that the door hinge remains aligned with the cover profile for the door frame's alignment (see Fig. 34).
7. Determine the position of the door hinge with the upper and lower setscrew at the same time (Fig. 36).

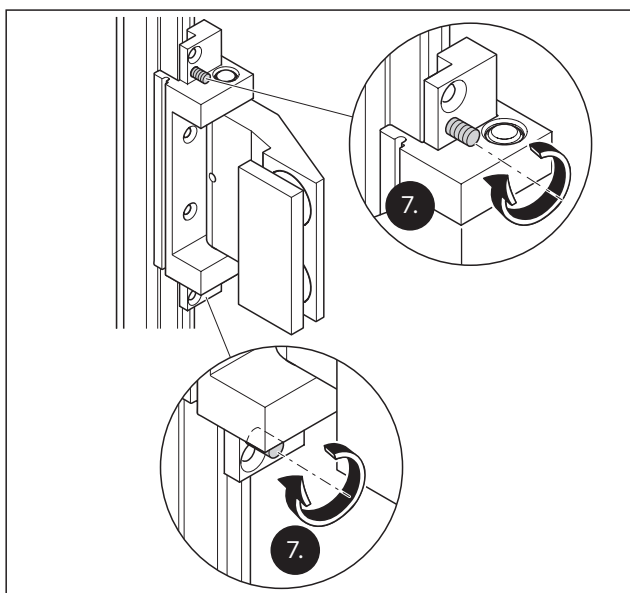


Fig. 36 Determine the position of the door hinge at the top and bottom

8. Put the cover profile for the door frame on the base profile for the door frame.
9. Ensure that the alignment of the door hinge is aligned with the cover profile for the door frame's alignment (see Fig. 34).
10. Temporarily attach the door hinge with 2 screws through the central drill holes in the base profile for the door frame (Fig. 37).

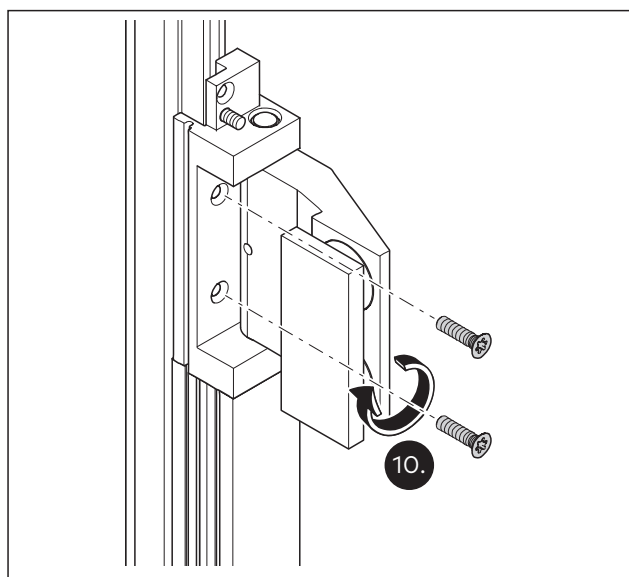


Fig. 37 Temporarily attach the door hinge in the center

11. Remove the cover profile for the door frame (Fig. 38)

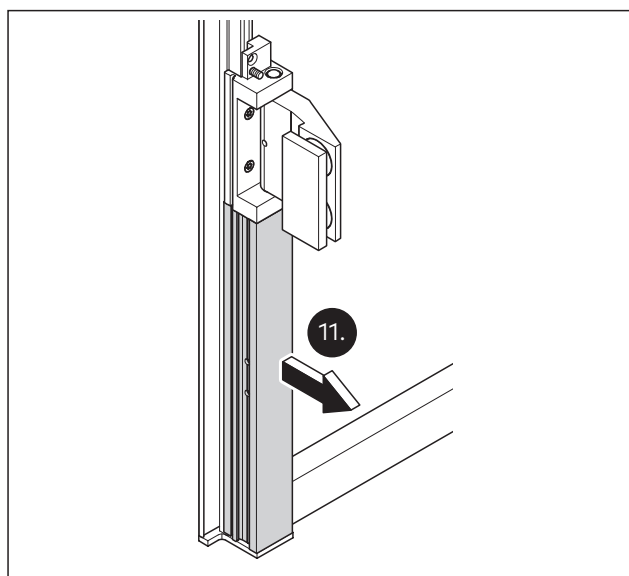


Fig. 38 Remove the cover profile for the door frame

12. Temporarily attach the door hinge with 2 screws through the outer drill holes in the base profile for the door frame (Fig. 39).

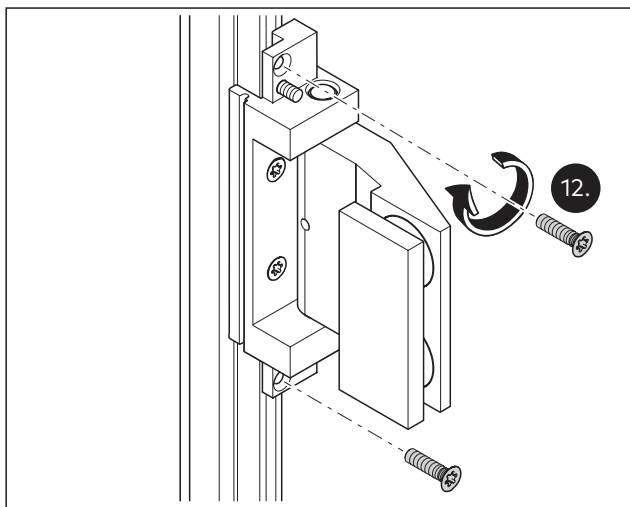


Fig. 39 Temporarily attach the door hinge at the top and bottom

13. Tighten the 4 provisionally attached screws with a torque wrench and 4 Nm.
14. Unscrew the covers' grub screw (Fig. 40).
15. Remove the under covers.
16. Unscrew the screws from the door hinge.
17. Remove the holding plates with one gasket each from the door hinge.
18. Make sure that one gasket remains on the glass contact surfaces.

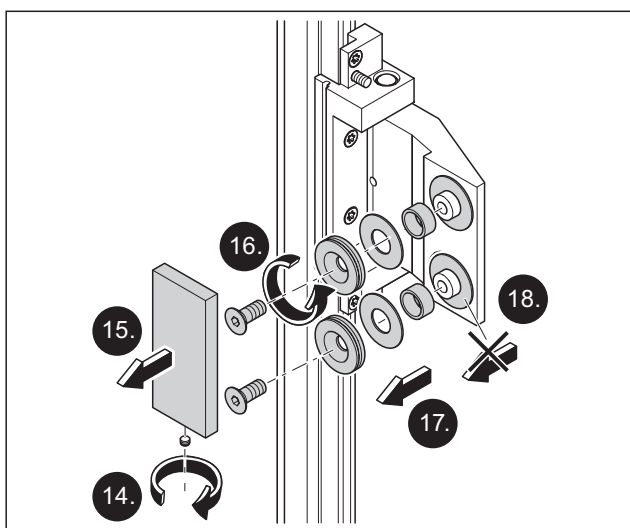


Fig. 40 Prepare door hinges for door mounting.

19. Retain the disassembled parts for the door mounting.
20. Place the second door hinge on the second vertical section of the cover profile for the door frame.
21. Place the second section of the cover profile for the door frame with the second door hinge on the mounted door hinge.
22. Align and fasten the second door hinge and the second cover profile for the door frame as described.

23. Mount all other door hinges and cover profiles for the door frame as described.

The door hinges are mounted.

6.4 Mount overpanel (optional)



WARNING

Danger to life due to falling glass.

Falling glass can lead to life-threatening injuries.

- Glass should not be suspended.
- Mount glass with at least 2 persons.
- Secure glass using the correct methods.
- Follow correct installation sequence.
- Glass clamping pieces on the base profile are not load-bearing.

Requirements

- The door frame profiles are mounted.
 - The door frame is capable of bearing loads.
1. Attach the wooden blocks on the base profile for the door frame on the hinge side (Fig. 41).
 2. Working in a pair and using a vacuum lifting tool, place the overpanel on the wooden blocks in the base profile for the door frame.
 3. To seal joints between the overpanel and the side panels with double-sided adhesive tape, please observe chapter 6.5.2.

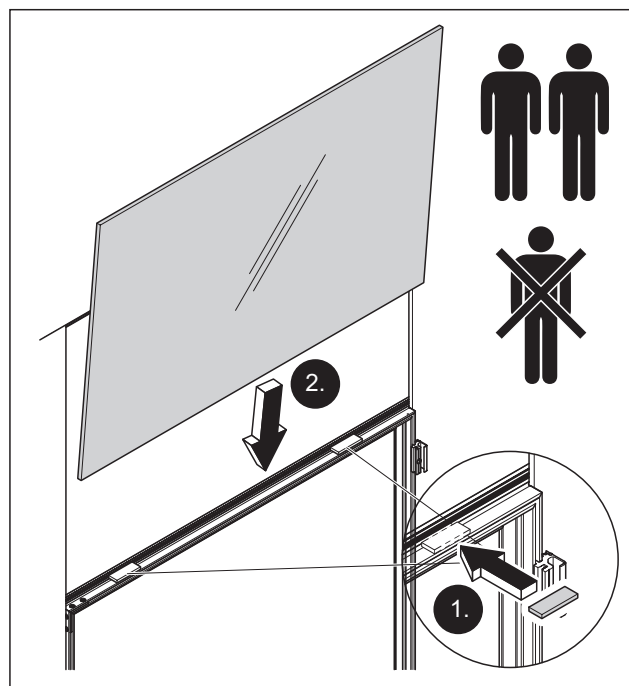


Fig. 41 Place the overpanel on the wooden blocks

4. Ensure the distance between overpanel and side panels with a spacer (Fig. 42).
5. Align the overpanel with the mounting profile and hold in position.

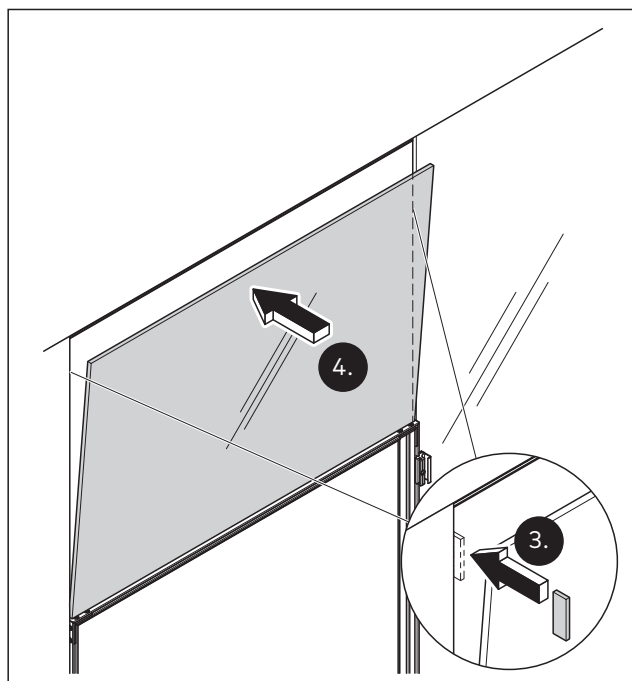


Fig. 42 Align the overpanel and hold in position

6. Attach and fasten the glass clamping pieces in the horizontal mounting profile to the joint between the overpanel and the side panel (Fig. 43).

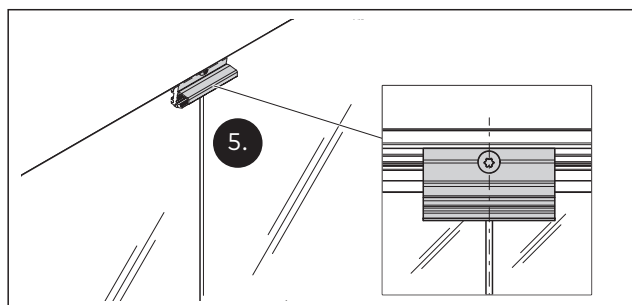


Fig. 43 The position of the glass clamping pieces on the joint between the overpanel and a side panel

7. Mount at least 3 glass clamping pieces per meter on the base profile of the mounting profile with a torque of 5 Nm (Fig. 44).
8. Mount the frame clamping pieces at the predrilled positions on the base profile of the door frame with a torque of 5 Nm.

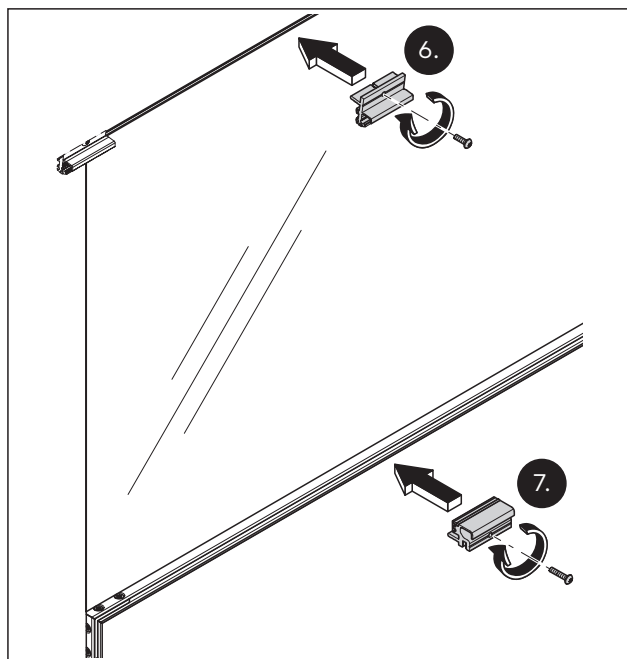


Fig. 44 Fasten the overpanel horizontally to the base profile of the mounting profile (above) and to the base profile of the door frame (below)

9. Remove the vacuum lifting tool.
10. To seal joints between the overpanel and the side panels with silicone, please observe chapter 6.5.1.
11. Mount the cover profile above the overpanel according to the mounting instructions of the mounting profile.

The overpanel is mounted.

6.5 Seal the joints between the glasses



Note

To meet the requirements of a sound insulation unit, it is imperative to seal the joints with silicone or double-sided adhesive tape.

6.5.1 Seal joints with silicone



Note

- For silicone use a permanently elastic and UV-resistant silicone.
- Use an LSG-compatible silicone to siliconize LSG glazing.

1. Professionally siliconize the entire length of the joints between glasses.

6.5.2 Seal joints with double-sided adhesive tape
 Use transparent, double-sided adhesive tape TESA ACX Plus.
 The adhesive tape for glass-on-glass joints must always be 2 mm narrower than the glass (e.g. glass thickness 15 mm and tape width 13 mm).

Glass thickness (mm)	Adhesive tape width (mm)	Item no.
10	8	50.529
12	10	50.530
13.5	11	50.531
15	13	50.532
17	15	50.533
19	17	50.534

1. Centre the tape on one edge of the glass and stick it on straight.
2. Press on the adhesive tape over its entire length without bubbles (e.g. with a pressure roller).
3. Join the glass edges and press them together (e.g. with a glass plate clamp).

Seal joints between side panel and overpanel

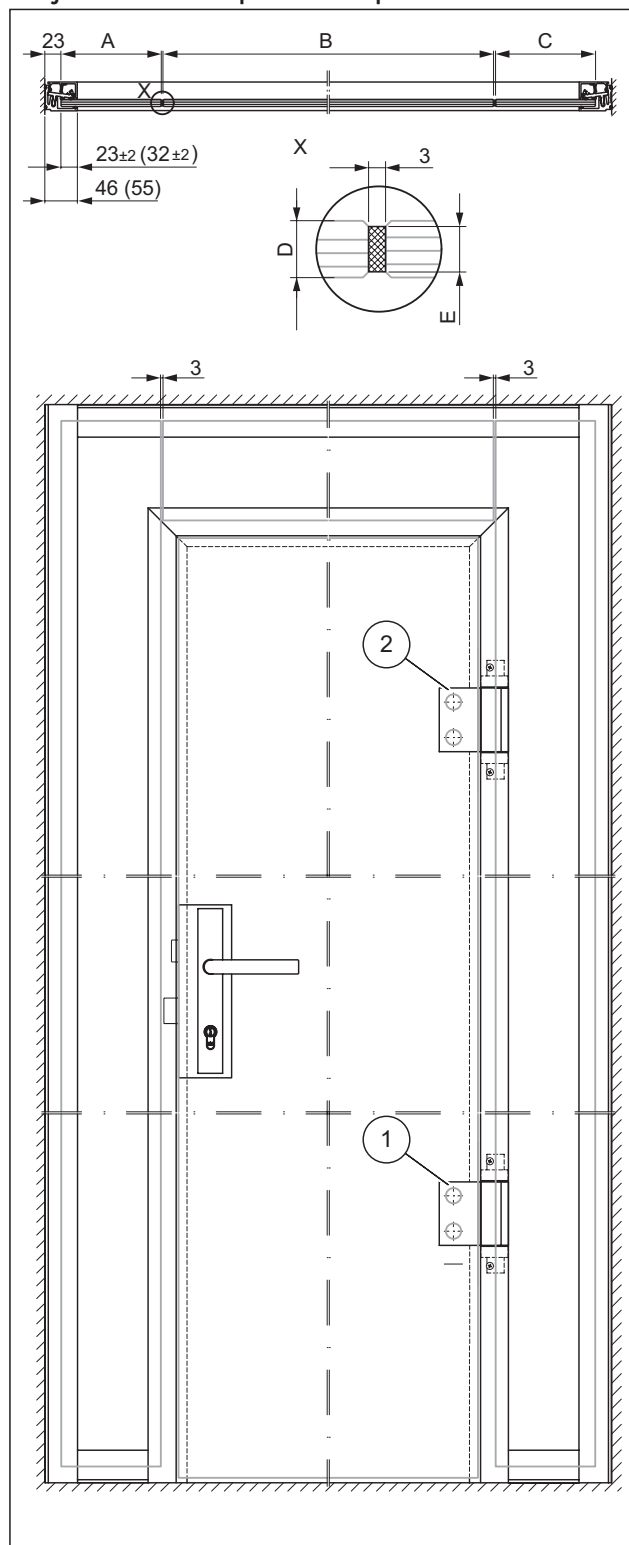


Fig. 45 Joints between side panel and overpanel

- A Side panel left
- B Overpanel
- C Side panel right
- D Glass thickness
- E Adhesive tape width
- 1 Door hinge 1
- 2 Door hinge 2

Seal joint between side panels

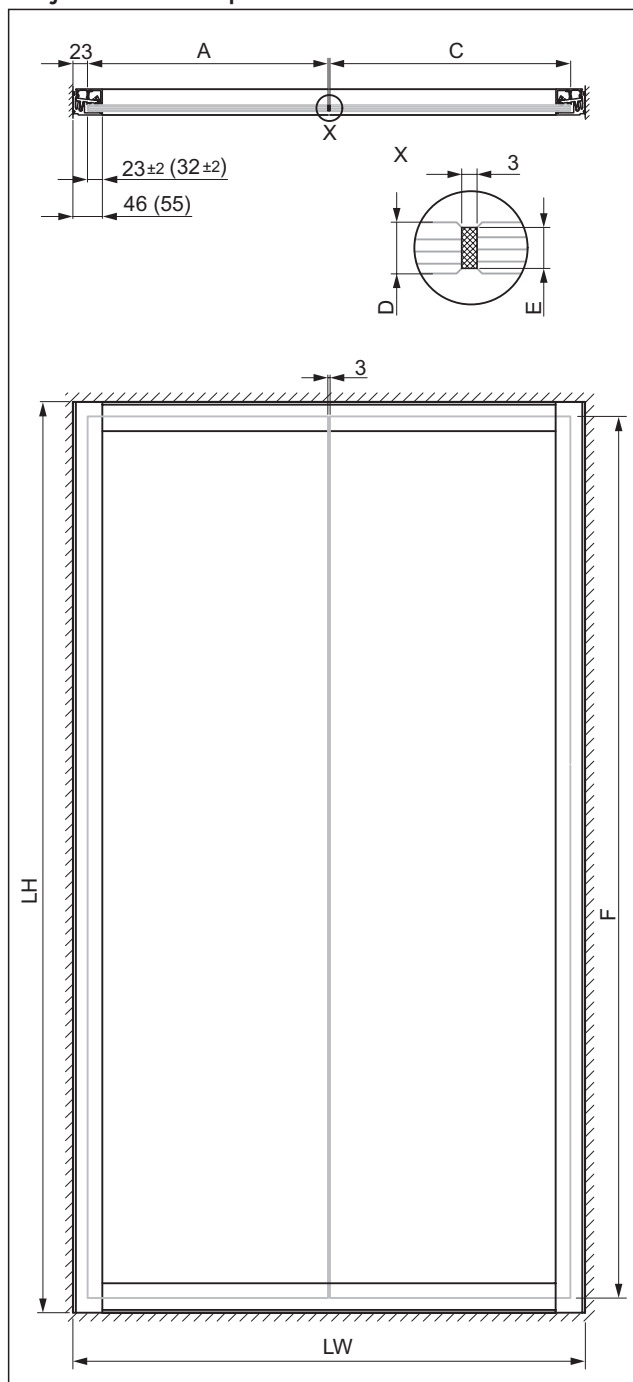


Fig. 46 Joint between side panels

- A Side panel left
- C Side panel right
- D Glass thickness
- E Adhesive tape width
- F Height of side panel
- CW Clear width
- CH Clear height

6.6 Mount the cover profile for the door frame

Requirements

- The overpanel is mounted (optional).
 - The base profile for the door frame is mounted.
1. Place the vertical cover profiles for the door frame on the hinge side from bottom to top (Fig. 47).
 2. Fasten the lower cover profile for the door frame to the frame clamping piece.

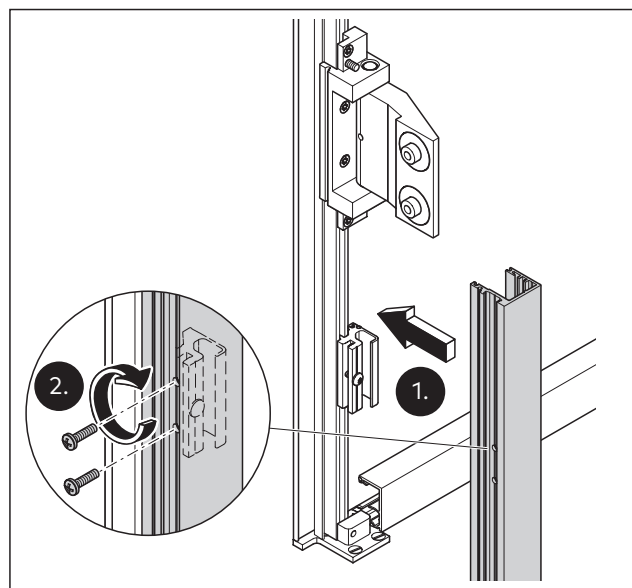


Fig. 47 Fasten the lower cover profile on the hinge side.

3. Fasten the other vertical cover profiles for the door frame on the hinge side from bottom to top.
4. Attach and fix the horizontal cover profile for the door frame.
5. Attach and fix the vertical cover profile for the door frame with the strike plate (Fig. 48).

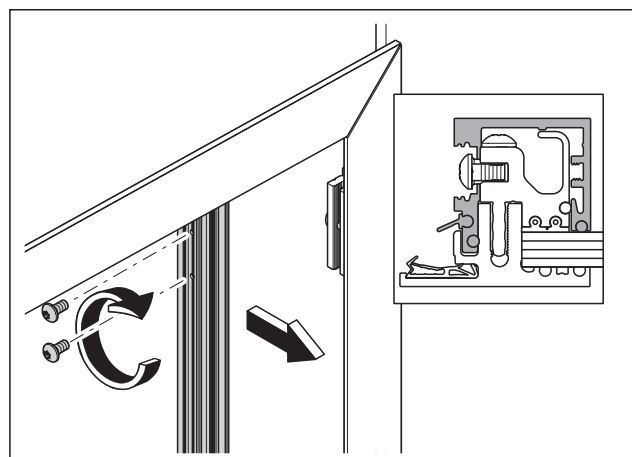


Fig. 48 Attach and fix the cover profiles for the door frame from the viewpoint of the opposite side to the hinge.

6. Attach the silicone seals above the screws on the cover profiles for the door frame (Fig. 49).

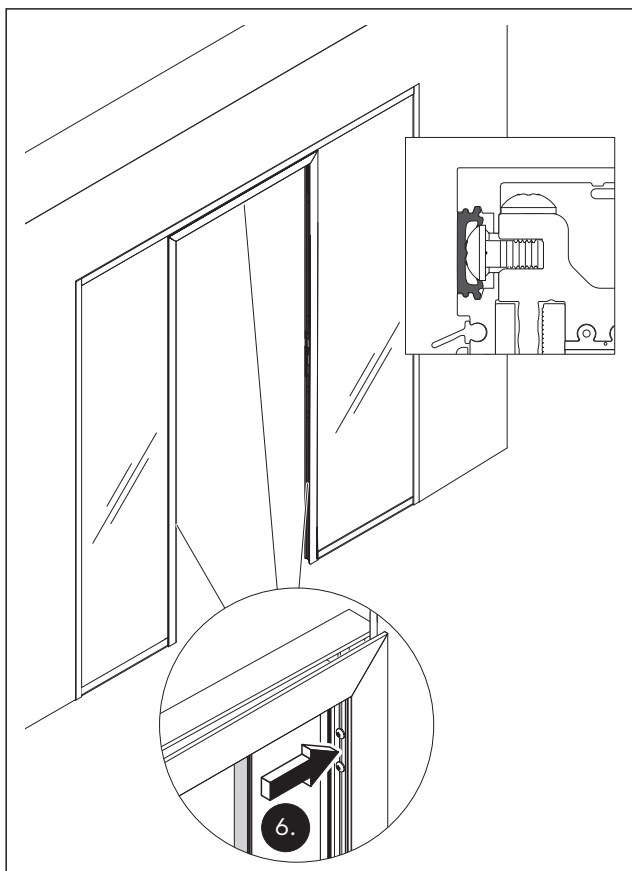


Fig. 49 Attach the inner silicone seals over the screws in the passage.

→ The cover profile for the door frame is mounted.

6.7 Mount glass door

Requirement

- The cover profile for the door frame is mounted.



Note

While mounting the glass door, one person should be on the hinge side (inside) and one person on the opposite side to the hinge (outside).

1. Ensure a horizontal clearance of $7\text{ mm} \pm 1\text{ mm}$ between the glass door and the finished floor level (FFL) with spacers (Fig. 50).
2. Working in a pair, lift the glass door with a suitable vacuum lifting tool and place on the lower spacers.

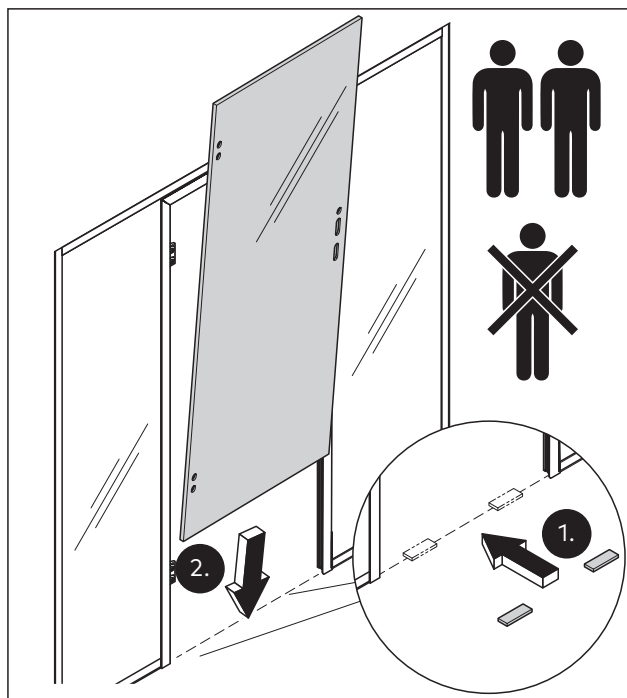


Fig. 50 Place the glass door on the lower spacers

3. Vertically ensure a clearance of $3.5\text{ mm} \pm 0.5\text{ mm}$ between glass door and door frame with spacers (Fig. 51).
4. Align the glass door in the door frame and hold in position with vacuum lifting tool.

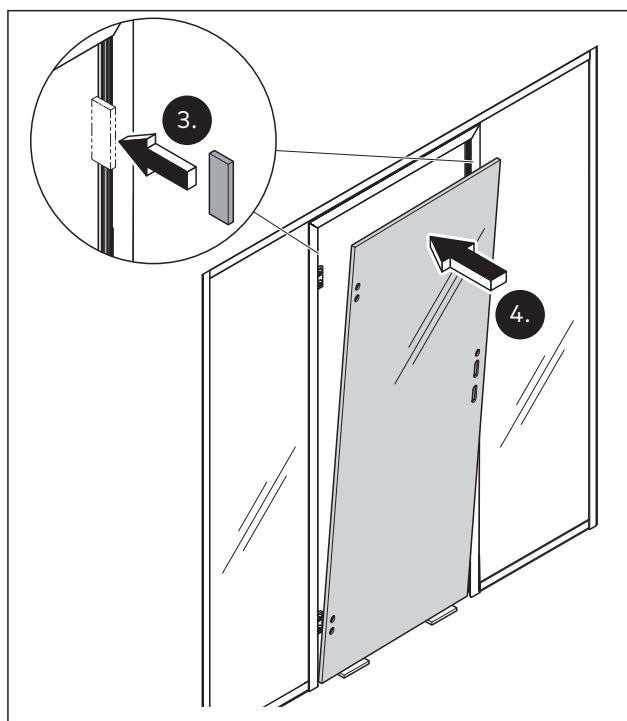


Fig. 51 Use the spacers when mounting the door and align the glass door

5. Turn the door hinges to the pre-drilled holes in the glass door (Fig. 52).

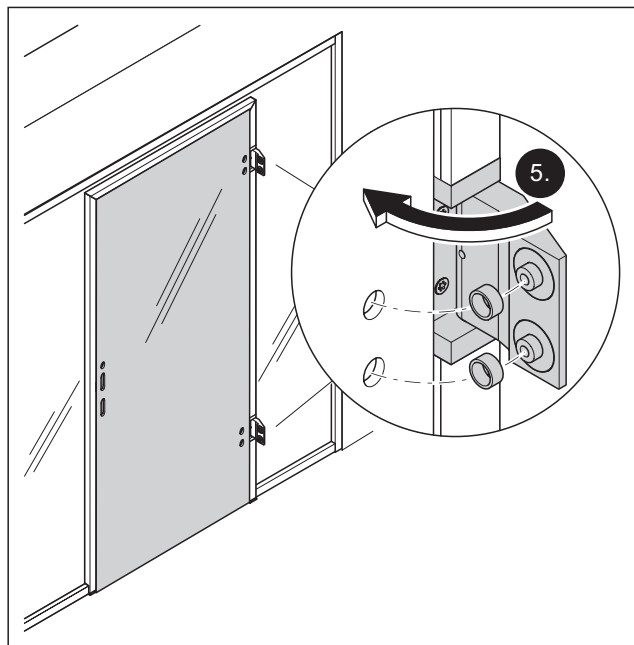


Fig. 52 Turn the door hinges on the hinge side to the drill holes

6. Attach the gaskets to the glass (Fig. 53).
7. Attach the holding plates onto the gaskets.
8. Fix the door hinges to the glass door from the opposite side to the hinge with screws and a torque of 15 Nm.

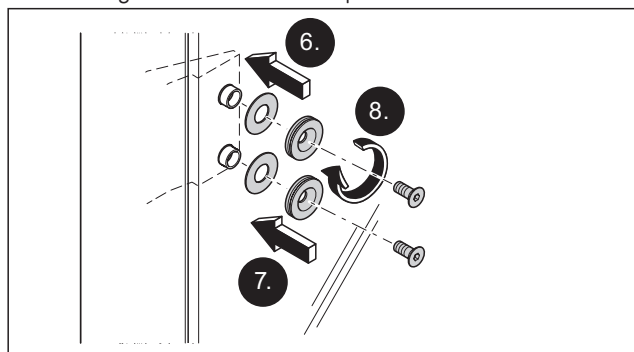


Fig. 53 Fix the glass door from the opposite side to the hinge to the door hinges

9. Attach the covers to the hinges (Fig. 54).
10. Fix the covers with the grub screws.



Note

Attaching the covers so that the grub screws are out of sight is recommended.

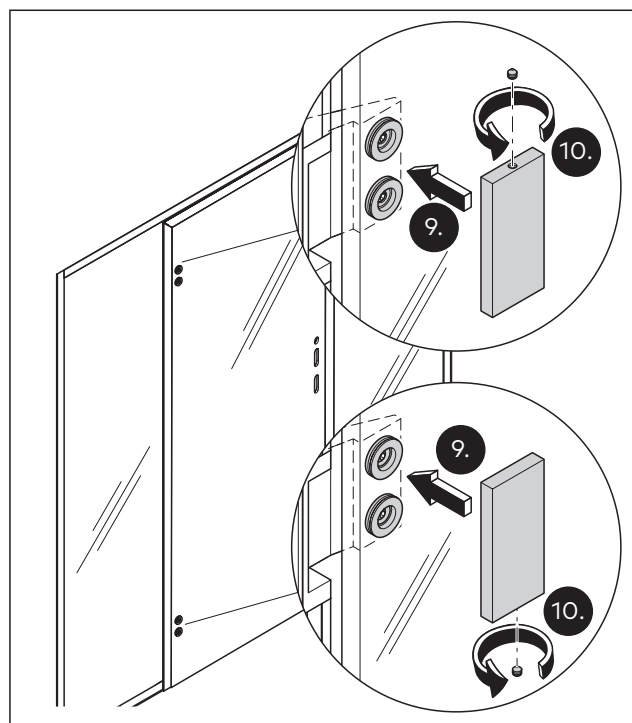


Fig. 54 Attach the covers to the hinges.

11. Remove the spacers.
12. Carry out a functional test of the glass door and re-align if necessary.
13. Observe the maximum opening angle.
14. Observe the local conditions at the assembly location, e.g. escape routes or bumps.
15. Set a doorstep as needed.



Note

It is recommended to attach a suitable doorstep so that the maximum opening angle of the glass door cannot be reached.

→ The glass door is mounted.

6.8 Complete mounting

1. Mount the UNIQUIN lock system according to the corresponding mounting instructions.
2. Mount other components according to the corresponding mounting instructions, e.g. UNIQUIN door closer.
3. If necessary, complete the mounting of the mounting profile.
4. Follow the UNIQUIN system manual.

The mounting of the door frame is completed.

7 Maintenance and care

7.1 Maintenance instructions

The product is largely maintenance-free.

1. Refer to the maintenance instructions for all unit components.
2. Follow the system manual.

7.2 Cleaning instructions

Only use suitable cleaning and care products to clean the surfaces.

8 Disassembly and disposal

Disassembly is carried out in the reverse order of the mounting instructions and must be done by qualified personnel. When disposing, observe the relevant national standards and guidelines.



Dispose of the product in an environmentally friendly manner.

Electronic parts and batteries must not be disposed of with domestic waste.

Use designated acceptance collection points to dispose of electro-technical parts and batteries. Acceptance and collection points.

Observe the applicable national legal regulations.

Moving Details.



DORMA-Glas GmbH
Max-Planck-Straße 33-45
D - 32107 Bad Salzufen

T +49 5222 924-0

info@dorma-glas.com
www.dorma-glas.com

 DORMA-Glas GmbH
 DORMA-Glas GmbH

