

Moving Details.

Inhalt

| | | | | | |
|----------|---|----------|----------|--|-----------|
| 1 | About this manual | 2 | | | |
| 1.1 | Information about the manual | 2 | 5.4 | Prepare profiles | 10 |
| 1.2 | Other applicable documents | 2 | 5.4.1 | Determine dimensions at the assembly location | 10 |
| 1.3 | Target group | 2 | 5.4.2 | Determine the dimensions of the base profiles | 10 |
| 1.4 | Symbols used | 2 | 5.4.3 | Determine the dimensions of the cover profiles | 10 |
| 1.4.1 | Safety instructions | 2 | 5.4.4 | Cut profiles | 10 |
| 1.4.2 | Further labeling | 2 | 5.5 | Attach silicon seals | 11 |
| 2 | Safety | 2 | 6 | Mounting | 11 |
| 2.1 | Intended use | 2 | 6.1 | Mount base profiles | 12 |
| 2.2 | Foreseeable misuse | 3 | 6.1.1 | Mount base profiles vertically | 12 |
| 3 | Product description | 3 | 6.1.2 | Mount base profiles horizontally | 12 |
| 3.1 | Example of a UNIQUIN unit | 3 | 6.1.3 | Siliconize sound insulation units | 13 |
| 3.2 | Product variants | 3 | 6.2 | Mount fixed elements | 14 |
| 3.3 | Parts included | 4 | 6.2.1 | Mount side panels | 14 |
| 3.4 | Example of a mounted mounting profile | 4 | 6.2.2 | Mount additional unit components (optional) | 15 |
| 3.5 | Specifications of the mounting profiles | 4 | 6.3 | Complete mounting | 15 |
| 3.5.1 | Glass thickness from 10-13.5 mm | 4 | 6.4 | Mount cover profiles | 16 |
| 3.5.2 | Glass thickness from 14-18 mm | 4 | 7 | Maintenance and care | 17 |
| 3.5.3 | Glass thickness from 16-19 mm | 4 | 7.1 | Maintenance instructions | 17 |
| 3.6 | Glass clamping piece | 5 | 7.2 | Cleaning instructions | 17 |
| 4 | Storage and transport | 5 | 8 | Disassembly and disposal | 17 |
| 5 | Installation preparation | 6 | | | |
| 5.1 | Tools for mounting | 6 | | | |
| 5.2 | Maintain the unit alignment | 6 | | | |
| 5.3 | Specifications for joint mounting | 6 | | | |
| 5.3.1 | Prepare inside T-joint | 6 | | | |
| 5.3.2 | Prepare outside T-joint | 7 | | | |
| 5.3.3 | Prepare corner joint for outside corner | 8 | | | |
| 5.3.4 | Corner joint for inside corner | 9 | | | |
| 5.3.5 | Joint-mounting in an alignment | 9 | | | |

Mounting instruction

UNIQUIN

Mounting profile



EN

WN 059546 45532

2023-08 / 16676

1 About this manual

1.1 Information about the manual

This manual describes how to install a UNIQUIN mounting profile as part of a UNIQUIN partition wall system and provides maintenance and care information.

Further unit components and mounting instructions may be required to complete the UNIQUIN partition wall unit's mounting according to the project-related unit drawing, e.g. for the door frame unit with hinges and overpanel. The illustrated unit components and configurations are exemplary and do not show every possible mounting situation.

1.2 Other applicable documents

Refer to the following technical documents for the product:

- The project-related unit drawing
- The mounting instructions of all unit components
- The UNIQUIN system manual

1.3 Target group

The target group of these mounting instructions is qualified personnel who have been specially trained in glazing installation.

1.4 Symbols used

1.4.1 Safety instructions

Safety instructions are marked with symbols. The safety instructions are introduced by signal words that express the extent of the hazard, e.g.:



WARNING

This signal word indicates a situation of potential risk, which could lead to death or serious injury if not averted.



CAUTION

This signal word indicates a situation of potential risk, which could lead to minor or slight injury if not averted.



ATTENTION

This signal word indicates a situation of potential risk that could lead to damage to property or the environment if not averted.



NOTE

This signal word indicates useful information for efficient and trouble-free operation.

1.4.2 Further labeling

1.

2.

Step-by-step graphics

1

2

Position numbers for parts in diagrams

2 Safety

2.1 Intended use

The product is designed to connect a UNIQUIN partition wall system to the floor, wall and ceiling from the inside.

The product may only be mounted with unit components designed by dormakaba for the installation situation and approved according to the project-related unit drawing.

- The product may only be mounted undamaged and in accordance with the requirements of the assembly location.
- The product may only be mounted by qualified personnel who correspond to the defined target group.
- Only toughened safety glass (TSG) or laminated safety glass (LSG) made of TSG may be installed with the product.
- The use of other composites must be checked by the designer or contractor and the stability assured.
- The product may only be attached to a surface capable of bearing loads using suitable fixing materials.
- The product is only suitable for indoor use.
- The product is suitable for use in tropical countries.

2.2 Foreseeable misuse



WARNING

Danger to life due to falling glass.

Falling glass can lead to life-threatening injuries.

- Glass should not be suspended.
- Mount glass with at least 2 persons.
- Secure glass using the correct methods.
- Follow correct installation sequence.
- Clamping profiles on the base profile are not load-bearing.



CAUTION

Risk of injury from falling to a lower floor.

The failure of the unit e.g. through broken glass, can lead to personal injury, as people could fall to a lower floor.

- The unit must not be installed as fall protection in places where there is a risk of falling to a lower floor.



ATTENTION

Risk of damage due to eccentric vertical load.

Attaching eccentric vertical loads to the product can cause damage.

- Do not attach any eccentric vertical loads to the product, e.g. by building shelves.

- The product is not suitable for outdoor mounting.
- The product is not suitable for mounting in the vicinity of showers, saunas, swimming and salt-water bath or rooms in which chemicals (e.g. chlorine) are used.



Fig. 1 Not suitable for showers, saunas, baths or salt-water baths

3 Product description

3.1 Example of a UNIQUIN unit

This UNIQUIN unit is an example of a UNIQUIN partition wall unit. Further combinations with other unit components, e.g. with an acoustic element or a sliding door are possible.

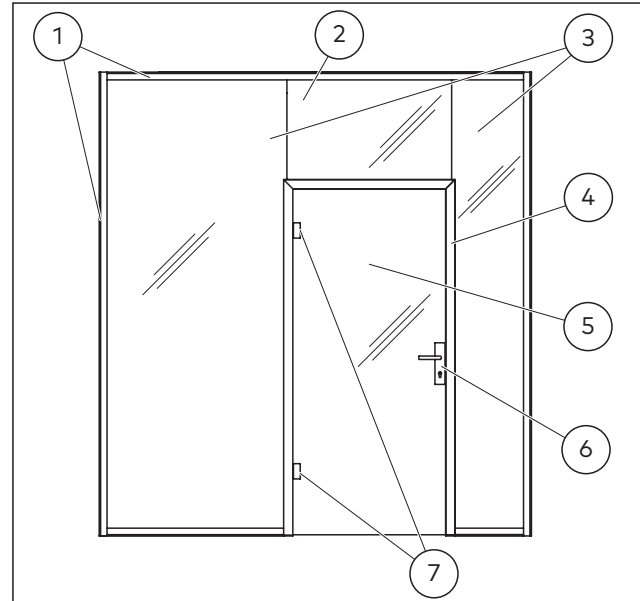


Fig. 2 Example of a UNIQUIN unit

- (1) Ground profile and cover profile
- (2) Overpanel
- (3) Side panel
- (4) Door frame system
- (5) Glass door
- (6) Lock with door handle set
- (7) Door hinges

3.2 Product variants

There are 3 product variants for use with different glass thicknesses, see Chapter 3.5.



NOTE

For ceilings with a flatness deviation of more than 15 mm over 10 m, it is recommended to use the 55th mounting profile for glass thicknesses from 16 to 19 mm.

3.3 Parts included

The exact delivery quantities and profile lengths vary depending on the product variant or the planned combination of the unit components. The glass is not part of the delivery. The profiles can come in warehouse length, fixed length or in fixed length with oversize.

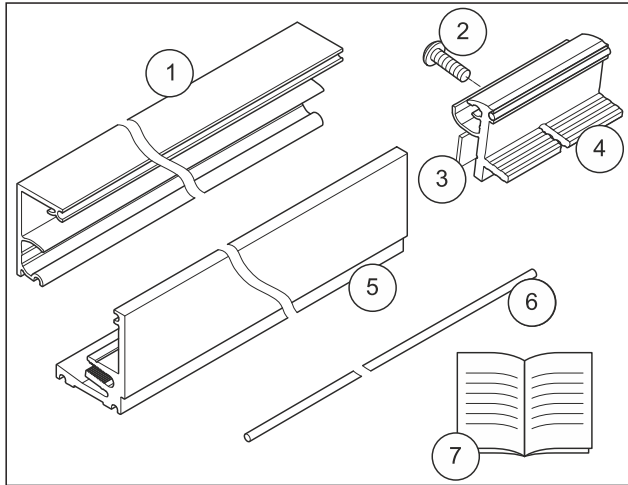


Fig. 3 Example components included in delivery

- (1) Cover profile (possibly in warehouse length)
- (2) Screw for the clamping piece
- (3) Clamping piece with silicone seal
- (4) Base profile (possibly in warehouse length)
- (5) Silicone seal (possibly in warehouse length)
- (6) Mounting instructions

3.4 Example of a mounted mounting profile

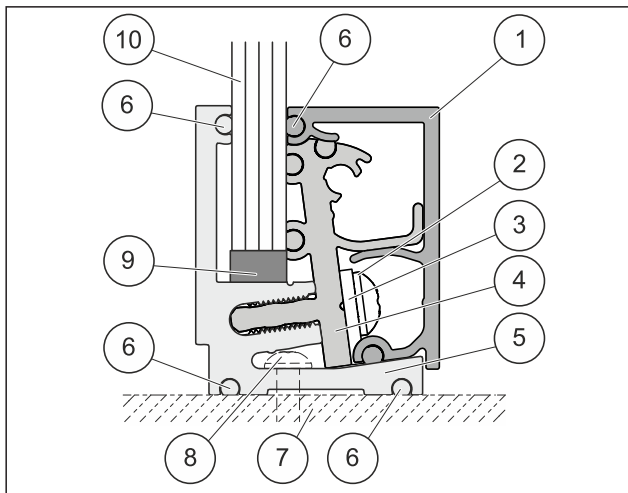


Fig. 4 Example of a mounted mounting profile

- (1) Cover profile
- (2) Screw for the clamping piece
- (3) Clamping piece with silicone seal
- (4) Base profile
- (5) Silicone seal
- (6) Finished floor
- (7) Suitable fixing materials (not included in delivery)
- (8) Wooden block (not included in delivery)
- (9) Glass or alternative composite (not included in delivery)

3.5 Specifications of the mounting profiles

3.5.1 Glass thickness from 10-13.5 mm

- Glass recess in the 46 mm base profile 23 mm ± 2 mm

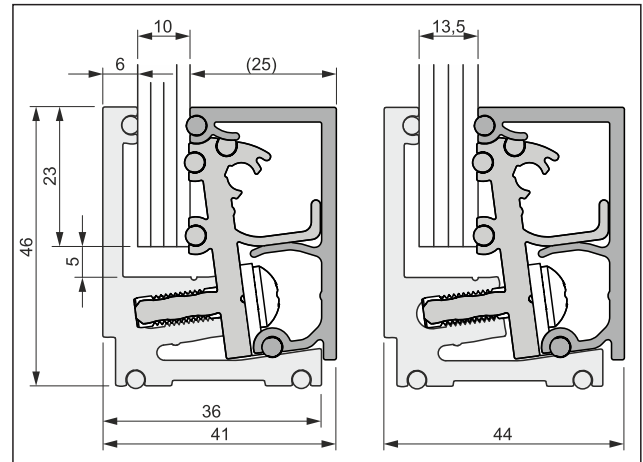


Fig. 5 Dimensions in mm for glass thicknesses from 10 to 13.5 mm

3.5.2 Glass thickness from 14-18 mm

- Glass recess in the 46 mm base profile 23 mm ± 2 mm

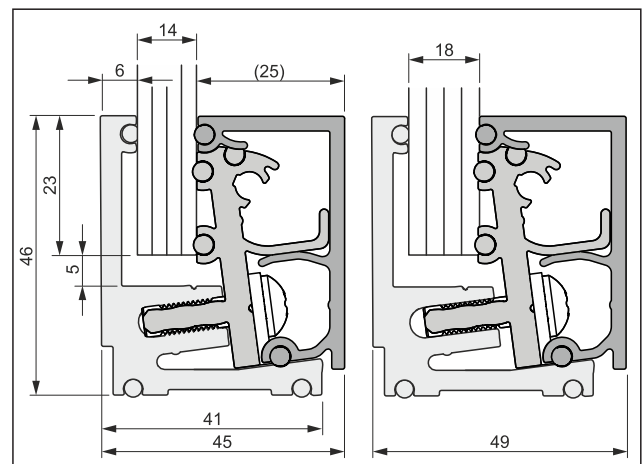


Fig. 6 Dimensions in mm for glass thicknesses from 14 to 18 mm

3.5.3 Glass thickness from 16-19 mm

- Glass recess in the 55 mm base profile 32 mm ± 2 mm

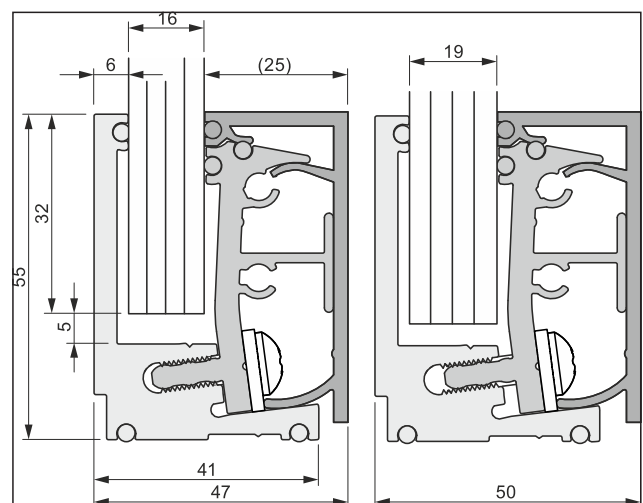


Fig. 7 Dimensions in mm for glass thicknesses from 16 to 19 mm

3.6 Glass clamping piece

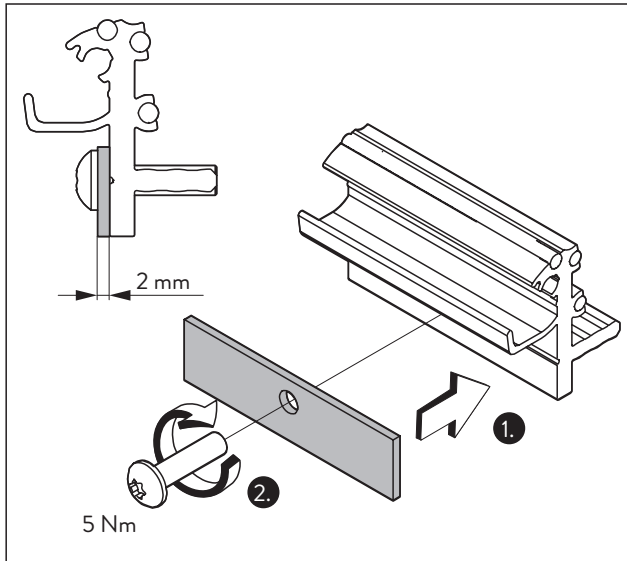


Fig. 8 Glass clamping piece for 46 mm base profile

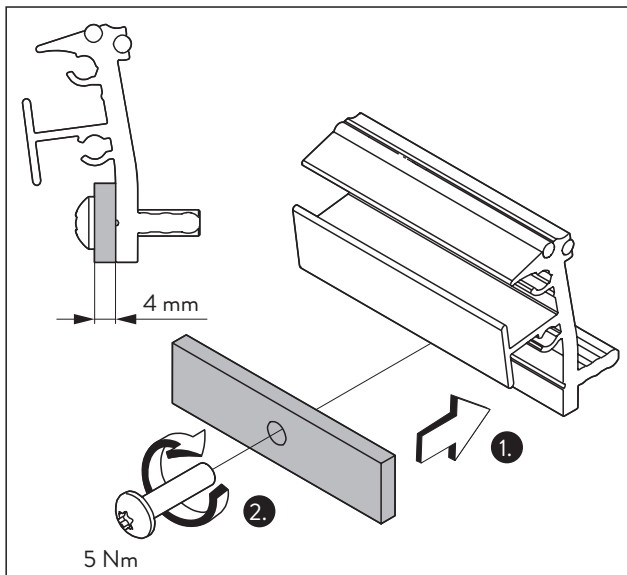


Fig. 9 Glass clamping piece for 55 mm base profile

4 Storage and transport



CAUTION

Risk of injury due to heavy weight.

Lifting heavy components can result in injury.

- Lift the heavy components together with several persons or a suitable lifting device.



CAUTION

Risk of crushing and collision due to unsecured components.

Unsecured components can lead to crushing or impact injuries during transport.

- Wear personal protective equipment.
- Secure components adequately during transport.



ATTENTION

Risk of damage to the glass components by contact with hard materials (e.g. glass, metal, concrete).

The contact may cause conchoidal fractures, damage the edges and/or break the glass of the glass components.

- Protect glass edges with spacers.
- Do not install damaged glass components.



ATTENTION

Risk of damage during transport.

Unsecured components may be damaged during transport.

- Secure components adequately during transport.

5 Installation preparation



CAUTION

Risk of injury due to sharp edges.

Contact with cut edges can lead to cuts.

- Wear protective gloves.
- Deburr cutting edges.
- Blunt the cut edges, e.g. with silicone.
- Secure cut edges against contact.

5.1 Tools for mounting

- Straight and miter saw
- Torx angle screwdriver
- Spirit level
- Hexagon socket set
- Drilling machine
- Vacuum lifting tool
- Wooden blocks
- Torque wrench
- Knife or scissors

5.2 Maintain the unit alignment

The product has no fixed outside or inside and can be mounted aligned on both sides.

- Check assembly location on site, e.g. in the building floor plan.
- Check the escape direction on site and compare it with the project-related unit drawing.
- Check the opening direction of swing doors on site and compare them with the project-related unit drawing.
- Consider the direction of other components (optional) e.g. sliding door or acoustic element according to the project-related unit drawing.
- Determine the direction of the unit according to the on-site check and according to the project-related unit drawing and adjust the mounting accordingly.

5.3 Specifications for joint mounting

- Corner fittings directly adjacent to doors are not possible.
- The cutting is done by the customer.
- Recommendation: Order the profiles in excess length.
- With T-joints and corner joints, the same or different glass thicknesses can be mounted at the same profile height.
- A T-joint can only be mounted at a 90° angle.

5.3.1 Prepare inside T-joint

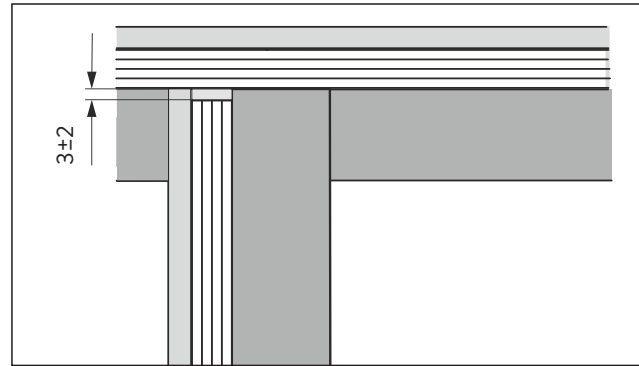


Fig. 10 Inside T-joint on the side of the cover profile

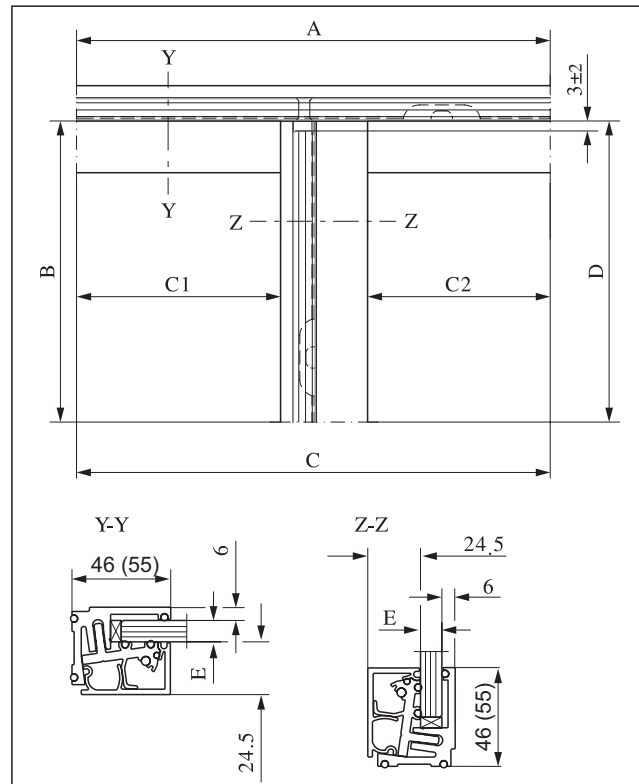


Fig. 11 Example of a mounting with inside T-joint

- A** Base profile 1
- B** Base profile 2
- C** Cover profile 1
- C1** Cover profile 1.1
- C2** Cover profile 1.2
- D** Cover profile 2
- E** Glass thickness

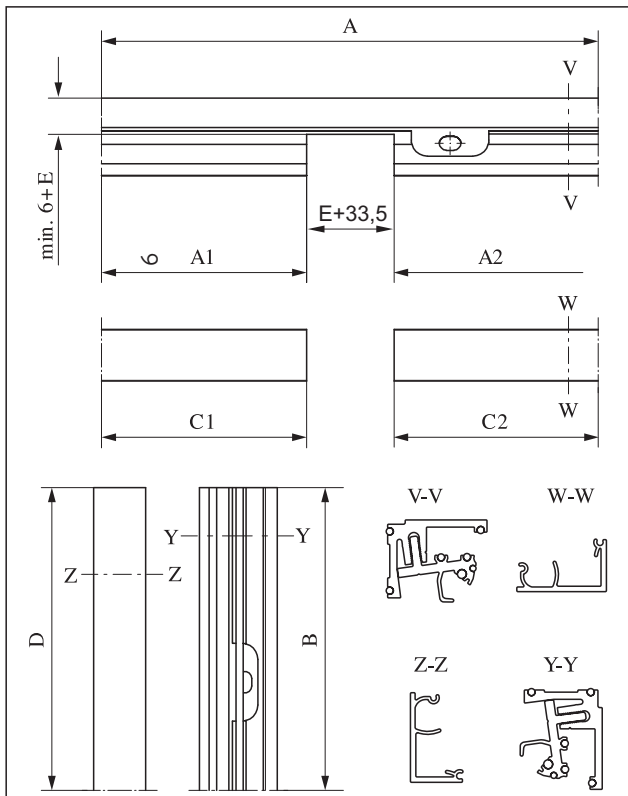


Fig. 12 Inside T-joint, profile cut on site

- A** Base profile 1
- A1** Base profile 1.1
- A2** Base profile 1.2
- B** Base profile 2
- C1** Cover profile 1.1 = Linear measure A1
- C2** Cover profile 1.2 = Linear measure A2
- D** Cover profile 2
- E** Glass thickness

Procedure

1. Place base profile 2 flush on base profile 1 at a right angle.
2. Mark the legs of base profile 2 on base profile 1. Remove base profile 2 and complete the markings up to the identification groove.
3. Separate the marked area from base profile 1.
4. Insert base profile 2 into the cut-out and check.
5. Cut all cover profiles

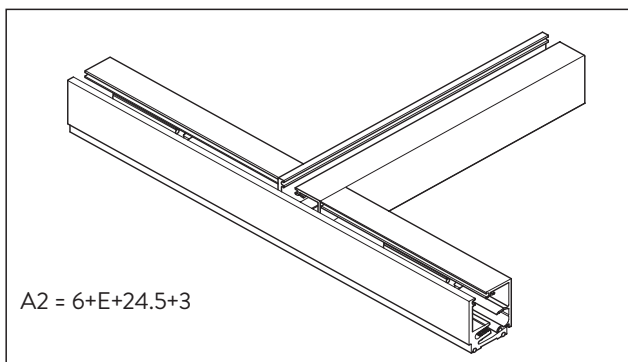


Fig. 13 Profiles prepared

5.3.2 Prepare outside T-joint

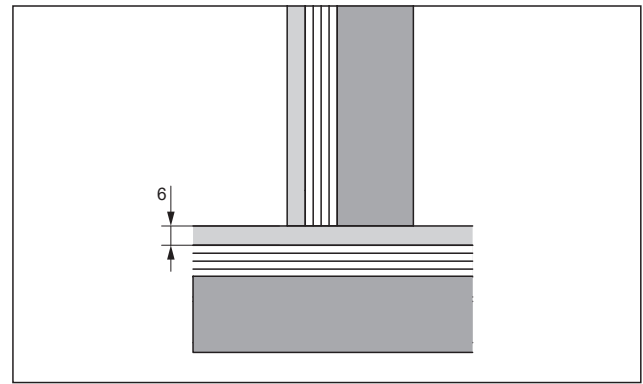


Fig. 14 Outside T-joint on the side of the base profile

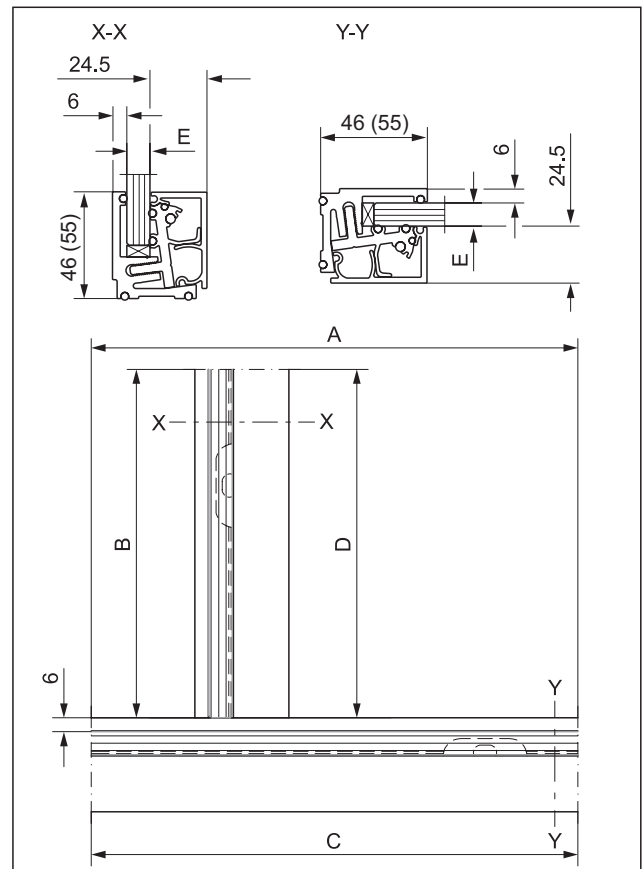


Fig. 15 Example of a mounting with outside T-joint

- A** Base profile 1
- B** Base profile 2
- C** Cover profile 1
- D** Cover profile 2
- E** Glass thickness

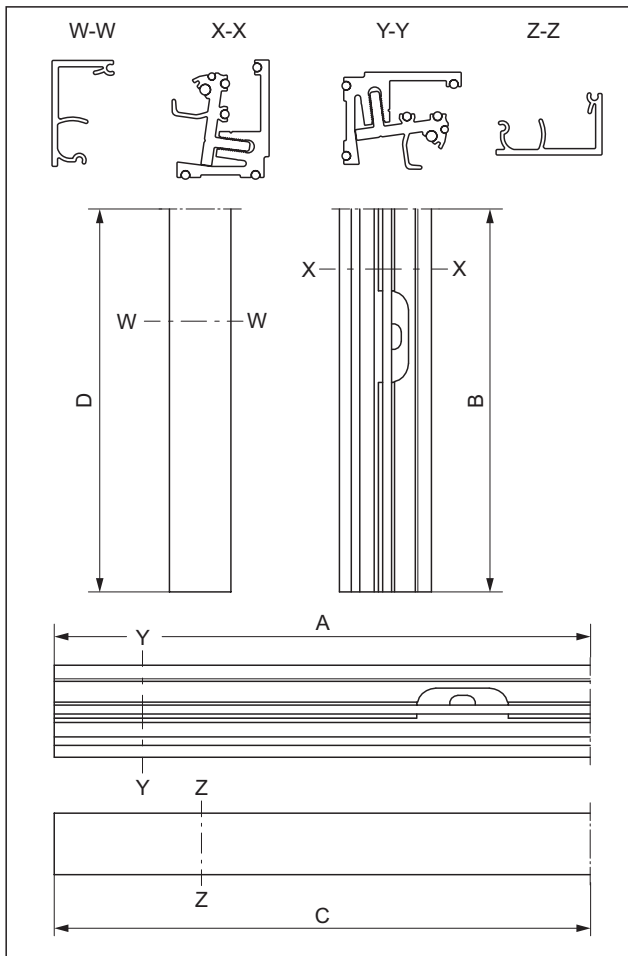


Fig. 16 Outside T-joint, profile cut on site

- A** Base profile 1
- B** Base profile 2
- C** Cover profile 1
- D** Cover profile 2

5.3.3 Prepare corner joint for outside corner

- Base profile outside: Miter joint
- Cover profile inside: Butt joint

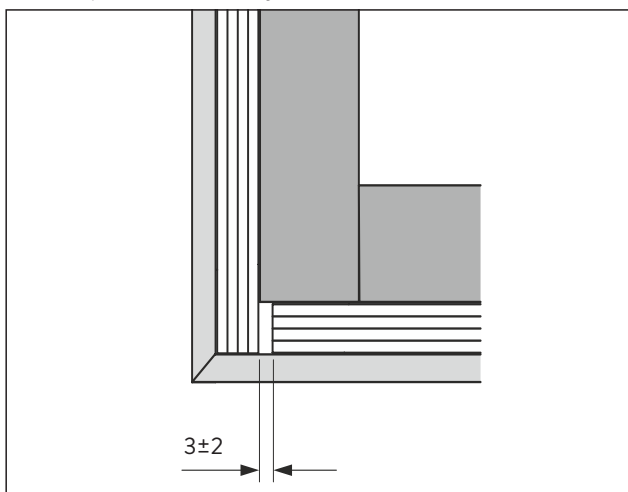


Fig. 17 Corner joint for outside corner

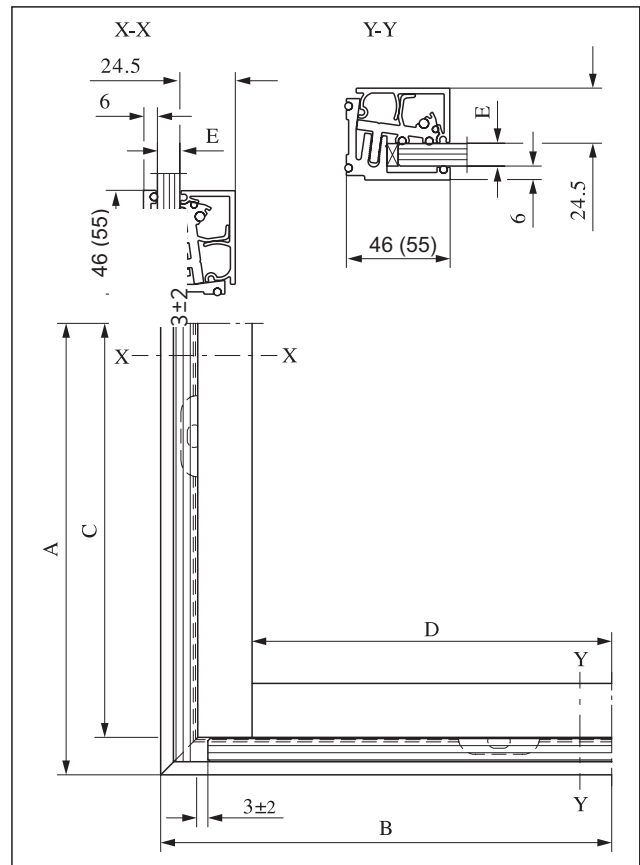


Fig. 18 Example of a mounting with corner joint for outside corner

- A** Base profile 1
- B** Base profile 2
- C** Cover profile 1
- D** Cover profile 2
- E** Glass thickness

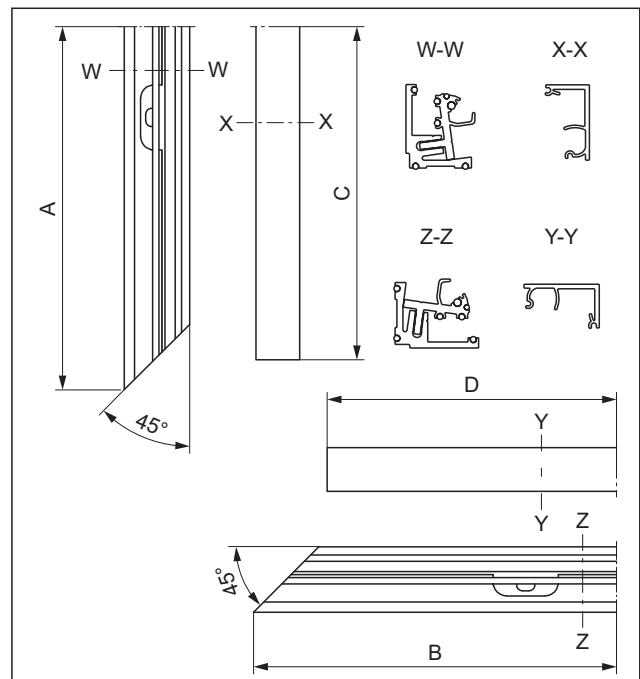


Fig. 19 Corner joint for outside corner, profile cut on site

- A** Base profile 1
- B** Base profile 2
- C** Cover profile 1
- D** Cover profile 2

5.3.4 Corner joint for inside corner

- Base profile outside: Miter joint
- Cover profile inside: Miter joint

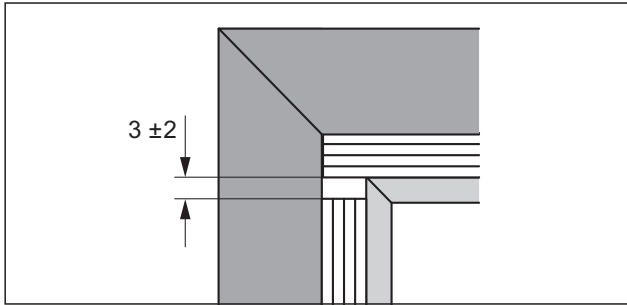


Fig. 20 Corner joint for inside corner

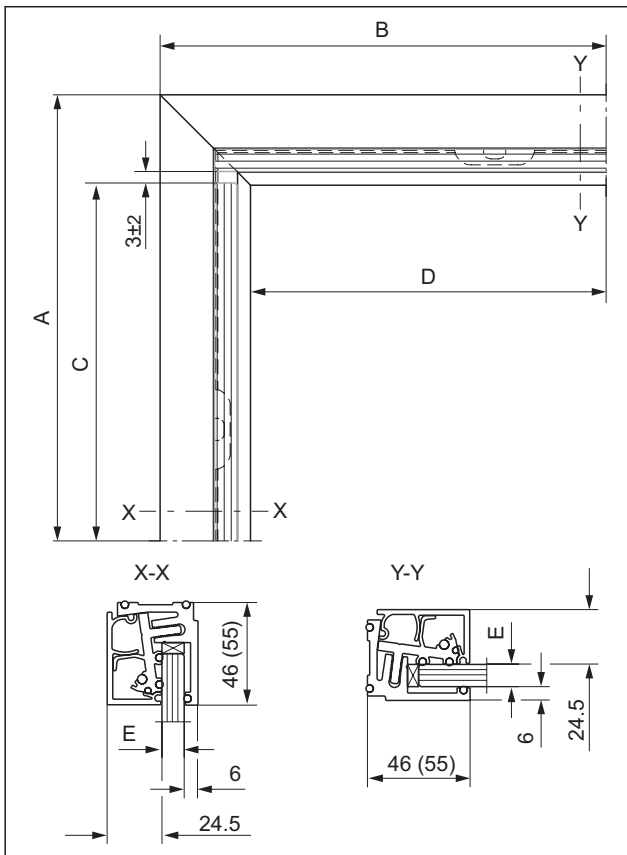


Fig. 21 Example of a mounting with corner joint for inside corner

- A** Base profile 1
- B** Base profile 2
- C** Cover profile 1
- D** Cover profile 2
- E** Glass thickness

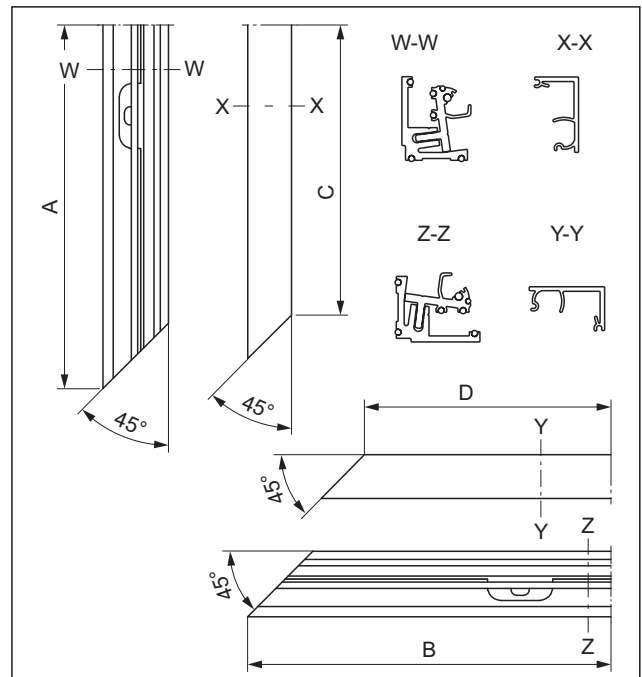


Fig. 22 Corner joint for inside corner, profile cut on site

- A** Base profile 1
- B** Base profile 2
- C** Cover profile 1
- D** Cover profile 2

5.3.5 Joint-mounting in an alignment

- Only the same glass thicknesses can be mounted.
- Centrally mount a clamping piece at the height of the joint of the glasses.
- Fit another clamping piece at the joint of the base profiles and the cover profiles.
- Arrange the joint of the base profiles offset to the joint of the glasses.

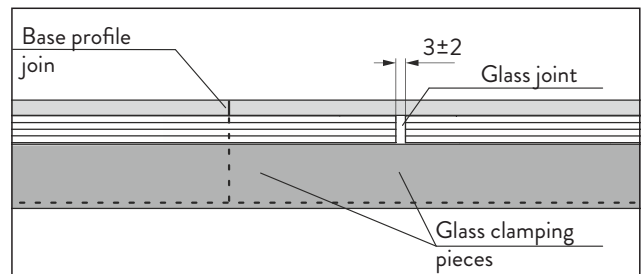


Fig. 23 Joint-mounting in an alignment

5.4 Prepare profiles

If the profiles are available in longer or warehouse lengths, the profiles and seals must be cut to size before mounting.

5.4.1 Determine dimensions at the assembly location

1. Determine the dimensions of the passage opening at the assembly location (Fig. 24).

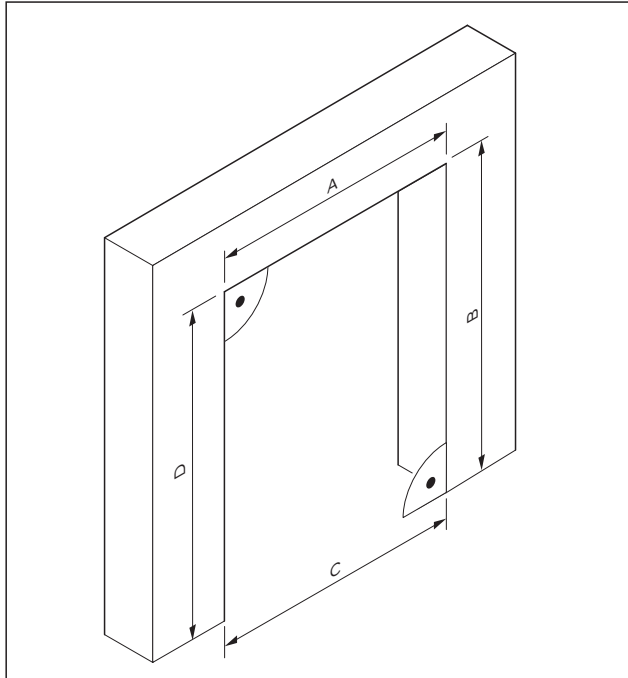


Fig. 24 Determine the dimensions of the passage opening at the assembly location

5.4.2 Determine the dimensions of the base profiles



NOTE

It is recommended that the dimensions of the last section of the base profiles on the floor be determined and cut only when the mounting of the last side panel is imminent.

1. When determining the dimensions, consider the joint mounting of the base profile.

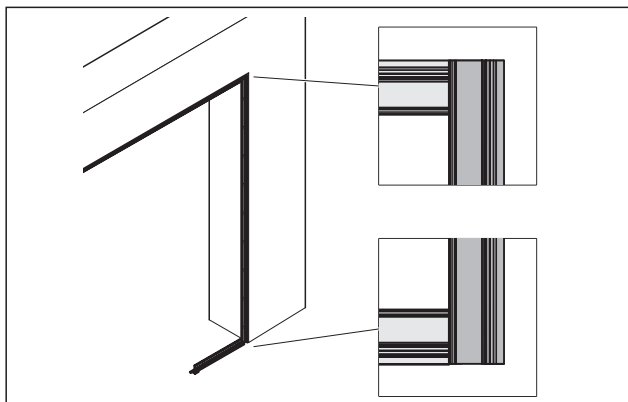


Fig. 25 Example of joint mounting with horizontal and vertical base profile

2. Match the determined dimensions with the project-related unit drawing.

3. If the dimensions on site are more than 5 mm over the project-related unit drawing's specifications, then adjust the wall opening on site to the dimensions of the unit drawing prior to mounting.
4. Observe the instructions for mounting edge to edge (see Chapter 5.3).

» **The dimensions of the required base profile have been determined.**

5.4.3 Determine the dimensions of the cover profiles



NOTE

The dimensions of the cover profiles are determined only after all other unit components are mounted.

1. When determining the dimensions, take into account the mounted base profiles.
2. Match the determined dimensions with the project-related unit drawing.
3. If the project-related unit drawing stipulates a mounting with a corner joint, then determine the dimensions for cover profiles, if necessary on a miter.

» **The dimensions of the required cover profile have been determined.**

5.4.4 Cut profiles

Requirement

- The dimensions of the profiles are determined.
1. Mark the cutting marks on the base profiles according to the dimensions determined at the assembly location.
 2. Cut the profiles at the cutting marks with a suitable metal saw.

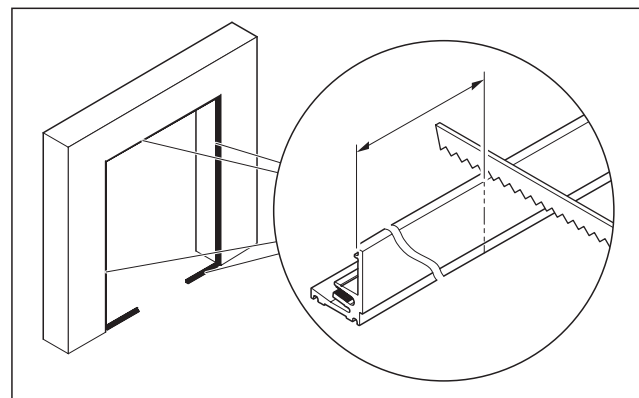


Fig. 26 Cut base profile correctly

3. Deburr and, if necessary, blunt the cut edges without damaging the coating, which is still visible after mounting.

» **The profiles are cut as needed.**

5.5 Attach silicon seals

Requirement

- The profiles are cut.
1. Identify the groove provided for the silicone seal depending on the profile (see Chapter 3.4).
 2. Fit the full length of the silicone seal into the groove provided.
 3. Ensure that no tensile forces are exerted on the silicone seal.

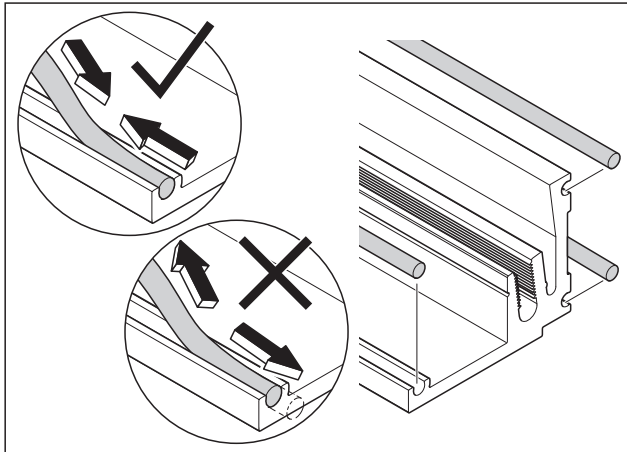


Fig. 27 Attach the silicone seal, e.g. on the base profile

4. If necessary, cut the silicone seal to the required length.
 - » **The silicone seal is attached.**

6 Mounting



CAUTION

Risk of injury from toppling objects.

Toppling unsecured components can cause injury.

- Wear personal protective equipment.
- Store and mount objects in a tilt-proof manner.



CAUTION

Risk of injury by crushing.

During mounting, high-weight shearing components can cause finger-crushing injuries.

- Wear protective gloves.
- Lift glass with vacuum lifter and insert.



CAUTION

Risk of injury due to sharp edges.

Touching cut edges may result in cuts.

- Secure cut edges against contact.
- Wear protective gloves.
- Deburr cutting edges.
- Blunt edges, e.g. with silicone.



CAUTION

Risk of injury due to heavy weight.

Lifting heavy components can result in injury.

- Lift heavy components together with several people and with suitable lifting device.



CAUTION

Risk of injury from broken glass during mounting.

Incorrect mounting can lead to broken glass and cause injuries.

- Secure the installation site.
- Carry out the mounting with at least 2 people.
- Wear protective clothing.
- Use vacuum lifting tool.
- Store glass on trestles or wooden blocks and ensure that it cannot fall.



CAUTION

Risk of injury due to insufficient unstable attachment.

Components must be attached in a sufficiently stable manner. The clamping profiles on the base profile are not load-bearing.

- Only use components planned and approved by dormakaba according to the project-related unit drawing.
- Only mount the glasses on a load-bearing surface with wooden blocks.
- Do not suspend glass.
- A silicone joint for the floor attachment is insufficient.



ATTENTION

Risk of damage due to eccentric vertical load.

Attaching eccentric vertical loads to the product can cause damage.

- Do not attach any eccentric vertical loads to the product, e.g. by building shelves.



NOTE

Strict observance of the mounting sequence for all unit components is recommended.

**NOTE**

It is recommended that, when following the mounting sequence of the unit components, the fixed elements should be mounted from one side to the other, e.g. beginning on the wall towards a door frame.

6.1 Mount base profiles

Requirements

- Mounting preparation is completed.
- Follow the project-related unit drawing.

6.1.1 Mount base profiles vertically

1. Align the base profile vertically.
2. Mark all the base profile's drill holes on the floor.

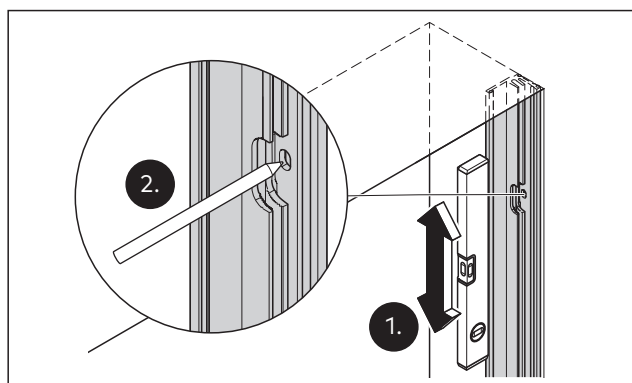


Fig. 28 Align the base profile vertically

**NOTE**

The slot in the base profile has a diameter of 6.5 mm.

3. Drill the holes as needed into the floor.
4. Install the required fixing materials in the drill holes, e.g. dowels.
5. If necessary, correct the unevenness in the ground properly, e.g. with underlay.
6. Align the base profile.

7. Fix the base profile to all drill holes.

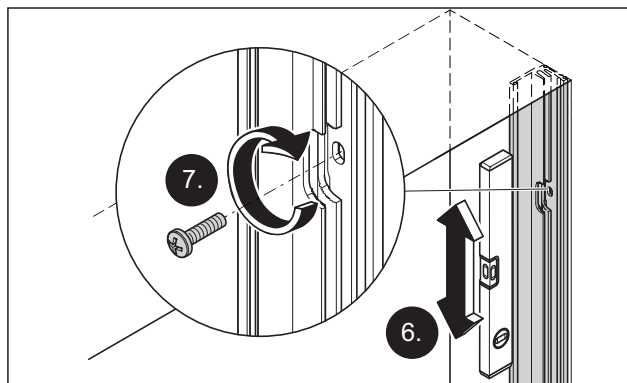


Fig. 29 Align and fix the base profile.

8. Mount all other vertical base profiles as described.
 - » **The vertical base profiles are mounted.**

6.1.2 Mount base profiles horizontally

**NOTE**

When mounting the horizontal base profiles, take into account all unit components, e.g. door frames or acoustic elements.

Requirement

- The vertical base profiles are mounted.
1. Mark the unit alignment e.g. with a chalk line.
 2. Align the base profile horizontally.
 - › The base profile on the floor must always be mounted to align vertically under the base profile on the ceiling or the lintel.

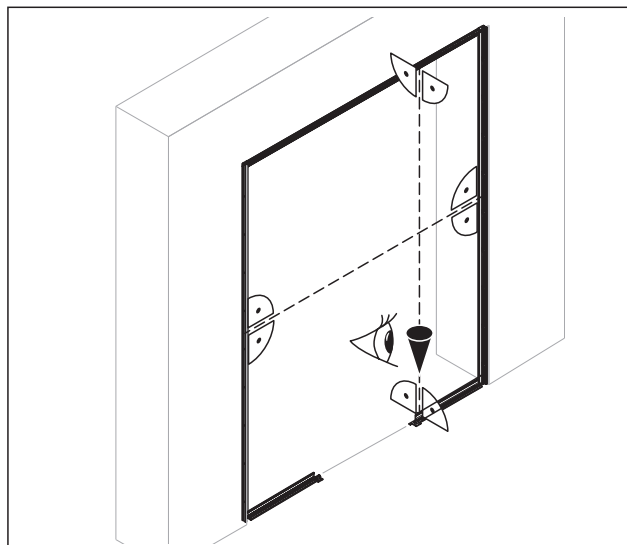


Fig. 30 Align the horizontal base profiles vertically with each other

3. Omit the passages e.g. swing door, sliding door or acoustic element.

**NOTE**

If e.g. an omission of the base profile on the ground is planned for an acoustic element, then:

1. Only prepare the horizontal base profiles on the ground to one side of the omission.
2. Only mount the fixed elements on one side of the omission (Chapter 6.2).
3. Mount the components for the omission.
4. Continue mounting the base profiles and fixed elements.

5. Mark all the base profile's drill holes on the floor.
6. Drill the holes as needed into the floor.
7. If necessary, install the required fixing materials in the drill holes, e.g. dowels.
8. Align the base profile.
9. If necessary, correct the unevenness in the ground properly, e.g. with underlay.
10. Fix the base profile to all drill holes.
11. Fix all further horizontal base profiles as described.
 - » **The horizontal base profiles are mounted.**

6.1.3 Siliconize sound insulation units

**NOTE**

To meet the requirements of a sound insulation unit, it is imperative to seal the joints with silicone or double-sided adhesive tape.

Seal joints with silicone

**NOTE**

- For silicone use a permanently elastic and UV-resistant silicone.
- Use an LSG-compatible silicone to siliconize LSG glazing.

1. Correctly siliconize the joints from the inside of the profile before mounting the cover profiles.

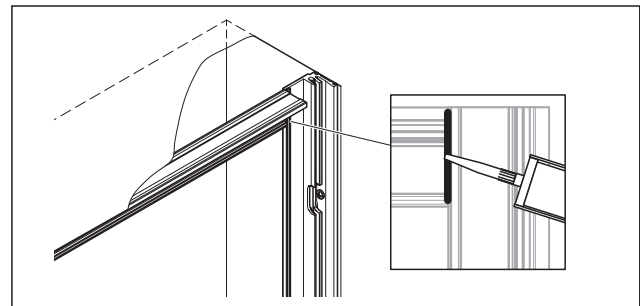


Fig. 31 Example of siliconizing profile edges from the inside

2. Professionally siliconize the entire length of the joints between glasses.

Seal joints with double-sided adhesive tape

We recommend the use of transparent, double-sided adhesive tape TESA ACX Plus.

The adhesive tape for glass-on-glass joints should always be 2 mm narrower than the glass (e.g. glass thickness 15 mm and tape width 13 mm).

| Glass thickness (mm) | Adhesive tape width (mm) | Item no. |
|----------------------|--------------------------|----------|
| 10 | 8 | 50.529 |
| 12 | 10 | 50.530 |
| 13.5 | 11 | 50.531 |
| 15 | 13 | 50.532 |
| 17 | 15 | 50.533 |
| 19 | 17 | 50.534 |

1. Stick the adhesive tape onto the center of one edge of the glass in a straight line.
2. Press on the adhesive tape over its entire length without bubbles (e.g. with a pressure roller).
3. Join the glass edges and press them together (e.g. with a glass plate clamp).

6.2 Mount fixed elements

Requirements

- The base profiles are mounted.
- The acoustic element is prepared (optional).
- The door frame system is prepared (optional).

6.2.1 Mount side panels

1. If necessary, align and mount the door frame positioner on the unit's alignment according to the door frame unit's mounting instructions.

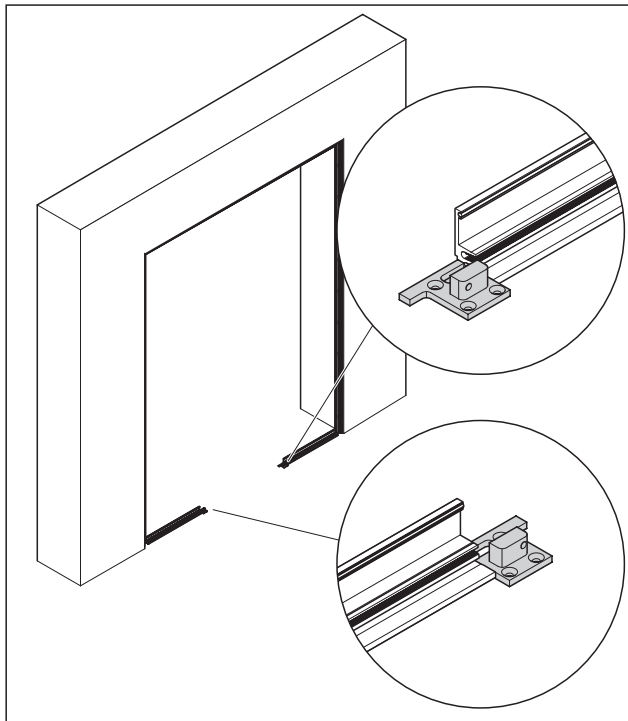


Fig. 32 Example of mounted door frame positioner

2. If an acoustic element is planned, then follow the acoustic element's mounting instructions.



NOTE

Only mount the acoustic elements on the horizontal base element when exactly one of the adjacent side panels is fixed. After mounting the acoustic element, fix the second adjacent side panel.

3. If a overpanel is planned, then follow the mounting instructions of the door frame system.
4. If necessary, follow the instructions for mounting side panels edge to edge.
5. Prepare the lower wooden blocks as needed (Fig. 33).
6. Working in a pair, lift the side panel with a suitable vacuum lifting tool and place on the lower wooden blocks.

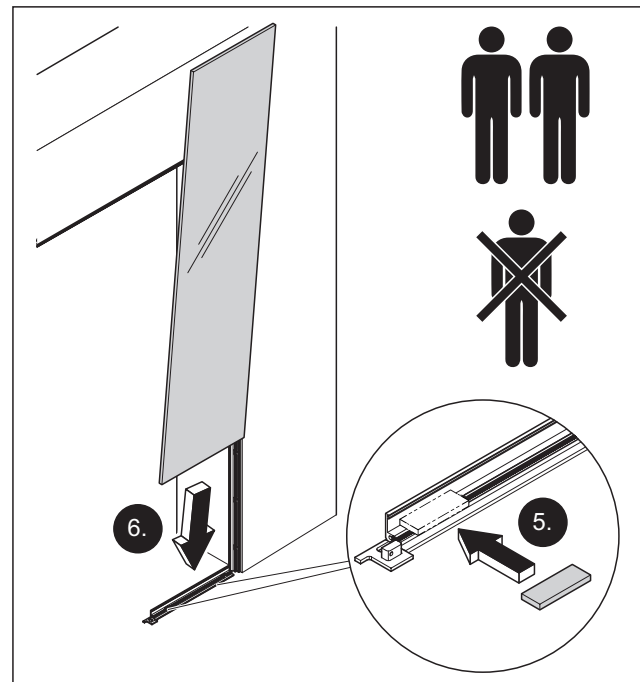


Fig. 33 Working in a pair, place the side panel on the wooden blocks

7. Prepare the vertical wooden blocks to maintain the corresponding vertical clearance.
8. Align the side panel vertically.
9. If a door frame connects to the side panel, then maintain the glass bite of the glass on the door frame positioner according to the door frame system's mounting instructions.

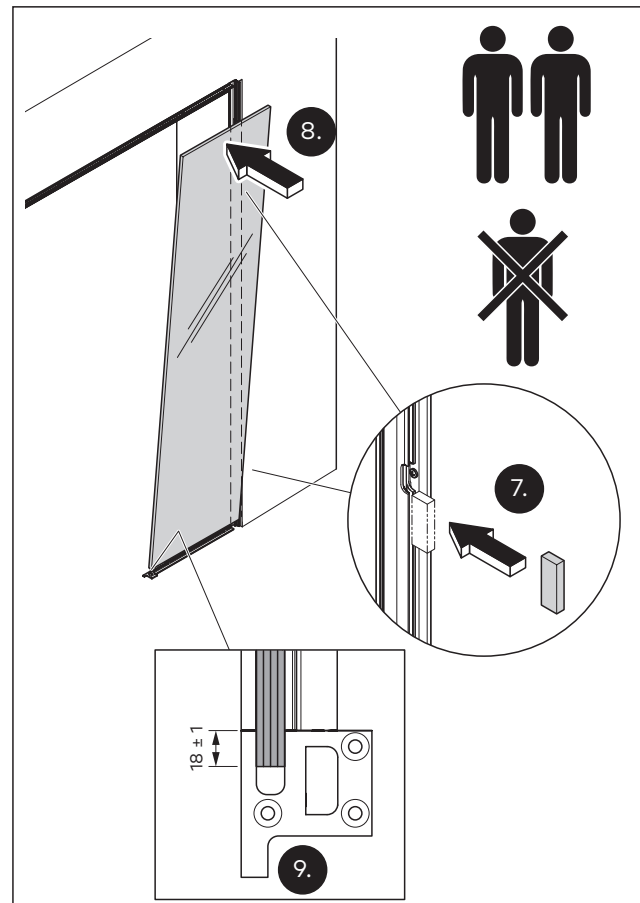


Fig. 34 Align the side panel vertically

10. Maintain the distance between the clamping pieces of approx. 80 mm to the corner (Fig. 35)
11. Fix the side panel with 3 clamping pieces per meter on the base profile vertically and horizontally with a torque of 5 Nm.

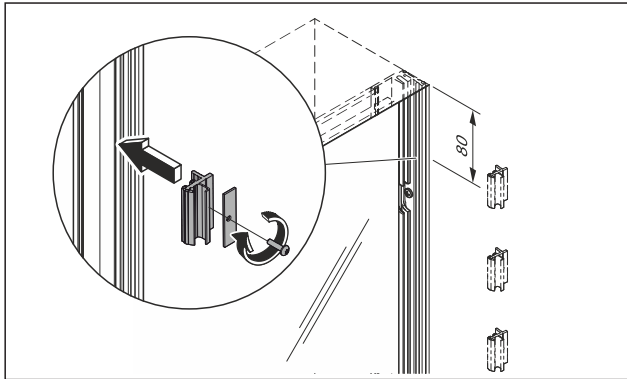


Fig. 35 Example of attaching clamping pieces to the vertical base profile and side panel

12. If several side panels are to be mounted edge to edge in alignment, joints the maintain a clearance between 2 side panels with spacers.



HINWEIS

3 mm clearance = sealing with TESA ACXplus
5 mm clearance = sealing with silicon

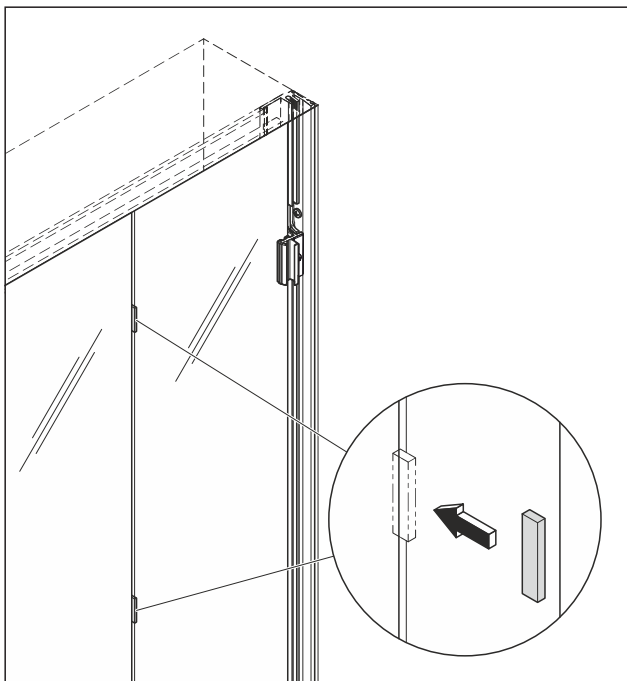


Fig. 36 Ensure the clearance between 2 side panels with spacers

13. Mount a clamping piece in the horizontal base profiles at the top and bottom exactly on the joint of the side panels.

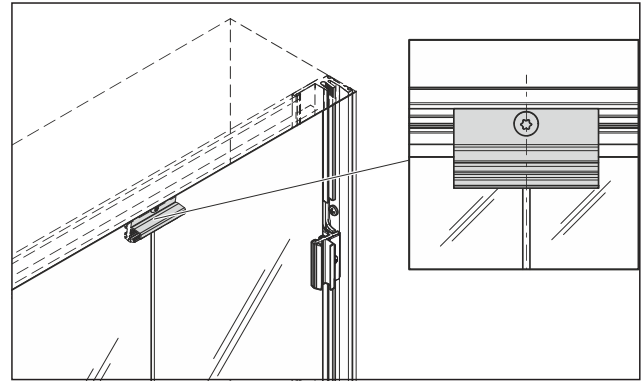


Fig. 37 A mounted clamping piece on the joint between 2 side panels

14. If necessary, follow the specifications for joint mounting (see Chapter 5.3).

15. Mount further side panels as described.

» **The side panels are mounted.**

6.2.2 Mount additional unit components (optional)

1. Follow the unit components' mounting instructions.
2. Mount additional unit components.
3. Follow system manual.

» **The mounting of further unit components is completed.**

6.3 Complete mounting

1. Follow the mounting instructions for all unit components to complete the mounting.
2. Keep to the mounting sequence.

6.4 Mount cover profiles

Requirements

- The unit components are correctly mounted.
- The cover profiles are prepared and cut to length as needed (see Chapter 5.4).
- The silicone seals are attached to the cover profiles.

1. Remove the spacers from the joints between 2 fixed elements.

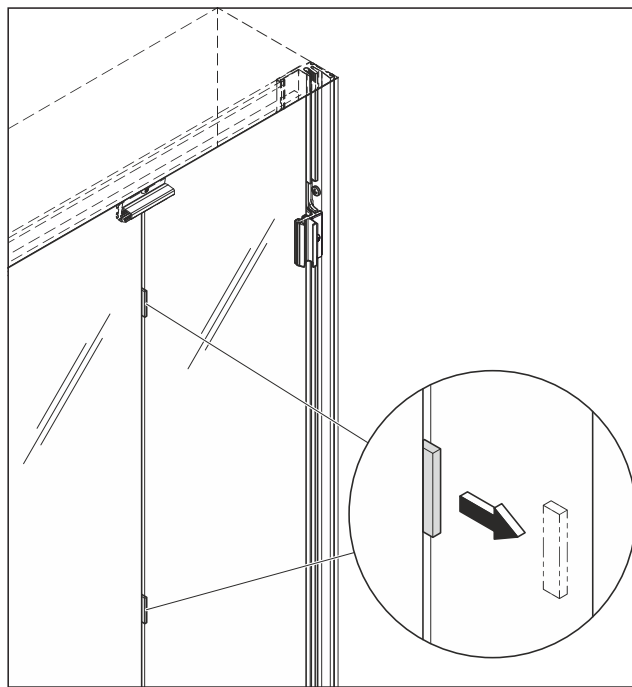


Fig. 38 Remove the spacers between 2 fixed elements



NOTE

To meet the requirements of a sound insulation unit, it is imperative to silicone the joints as described.



NOTE

- For silicone use a permanently elastic and UV-resistant silicone.
- Use an LSG-compatible silicone to silicone LSG glazing.

2. It is recommended that the joints between 2 fixed elements are siliconized along their entire length.
3. If necessary, cut the vertical cover profiles to size as needed.
4. For mounting a joint on the vertical cover profile, saw out a 15 mm x 15 mm recess on the glass side (Fig. 39).
5. Deburr all edges using the correct methods.



NOTE

- The recess allows the mounting of the cover profile without tilting with the abutting base profile.
- The recess is no longer visible after mounting the adjacent cover profiles.
- If necessary, power or data lines can be routed through the recess.

6. Attach the prepared cover profile to the abutting edge of the base profiles.

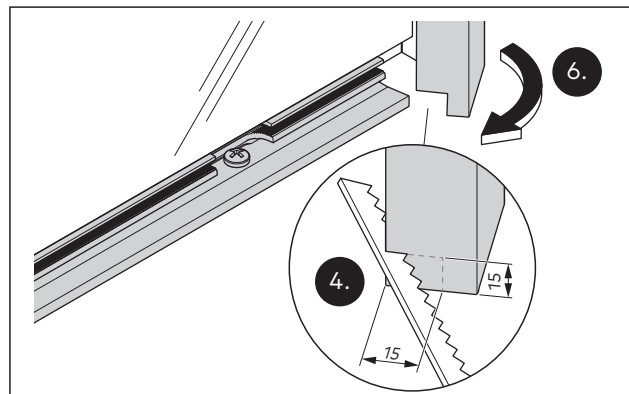


Fig. 39 Saw out a recess e.g. on the vertical cover profile at the lower joint edge

7. Attach the other cover profiles.

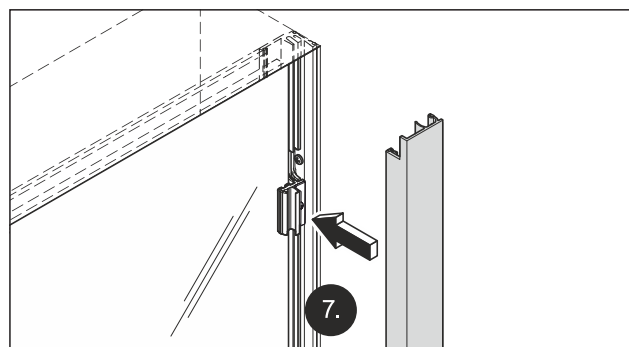


Fig. 40 Example of attaching a vertical cover profile with recess above

8. Cut the horizontal cover profiles to length if necessary and attach.
9. Follow the system manual.

» **The mounting of the unit is completed.**

7 Maintenance and care



CAUTION

Risk of injury due to cut edges

Touching cut edges can lead to cuts, e.g. at the corner joint of an acoustic element.

- Wear protective gloves.

7.1 Maintenance instructions

The product is largely maintenance-free.

1. Refer to the maintenance instructions for all unit components.
2. Follow the system manual.

7.2 Cleaning instructions

Only use suitable cleaning and care products to clean the surfaces.

8 Disassembly and disposal

Disassembly is carried out in the reverse order of the mounting instructions and must be done by qualified personnel. When disposing, observe the relevant national standards and guidelines.



Dispose of the product in an environmentally friendly manner.

Electronic parts and batteries must not be disposed of with domestic waste.

Use designated acceptance collection points to dispose of electro-technical parts and batteries.

Acceptance and collection points.

Observe the applicable national legal regulations.

Moving Details.



DORMA-Glas GmbH
Max-Planck-Straße 33-45
D - 32107 Bad Salzufen

T +49 5222 924-0

info@dorma-glas.com
www.dorma-glas.com

 DORMA-Glas GmbH
 DORMA-Glas GmbH

