

Contents

1	About this manual	2		
1.1	Information about the manual	2		
1.2	Other applicable documents	2		
1.3	Target group	2		
1.4	Symbols used	2		
1.4.1	Safety instructions	2		
1.4.2	Further labeling	2		
2	Safety	2		
2.1	Intended use	2		
2.2	Foreseeable misuse	3		
3	Product description	3		
3.1	Example of a UNIQUIN unit	3		
3.2	Product variants	3		
3.2.1	Locks	3		
3.2.1.1	Escape door functions	3		
3.2.2	Door handle	4		
3.2.3	Door fittings for locks with escape door function	4		
3.3	Parts included	4		
3.3.1	Standard lock with L-shaped handle	5		
3.3.2	Lock with transmission function E, with C-shaped handle and fixed door knob	6		
3.3.3	Lock with transit function D, with C-shaped handle both sides	7		
3.3.4	Lock with transmission function E, with panic door fitting and fixed door knob	8		
3.3.5	Lock with transit function D, with panic door fitting and C-shaped handle	9		
3.3.6	Standard lock with L-shaped handle and c-lever compact	10		
3.4	Technical information	11		
4	Storage and transport	11		
5	Installation	12		
5.1	Tools for installation	12		
5.2	Installing lock with door handle set	12		
5.3	Installing the lock with fixed knob	16		
5.4	Installing the screw-on plates for a panic door fitting	18		
5.5	Installing the lock with c-lever compact	18		
5.6	Completing the installation with panic door fitting	21		
5.7	Completing the installation without panic door fitting	22		
6	Maintenance and care	22		
6.1	Maintenance instructions	22		
6.2	Cleaning instructions	22		
7	Dismantling and disposal	22		
7.1	Tools for dismantling	22		
7.2	Dismantling the door handle	22		
7.3	Dismantling the other components	23		

UNIQUIN locks

Mounting instructions

WN 059607 45532 – 2018-10

EN

1 About this manual

1.1 Information about the manual

This manual describes the installation of UNIQUIN locks onto a glass door as part of a UNIQUIN door frame system and includes maintenance and care information.

For the complete installation of the UNIQUIN partition wall unit, further unit components and installation manuals may be required as specified in the project-related unit drawing, e.g. for the door frame system. The illustrated unit components and configurations are exemplary and do not show every possible installation scenario. The components illustrated are shown in one opening direction as an example.

1.2 Other applicable documents

Refer to the following technical documents for the product:

- The project-related unit drawing
- The enclosed installation manual for the unit components included with delivery
- The installation manuals of all unit components
- The UNIQUIN system manual

1.3 Target group

The target group of these installation manual is qualified personnel specially trained in glass fitting.

1.4 Symbols used

1.4.1 Safety instructions

Safety instructions are marked with symbols. The safety instructions are introduced by signal words that express the extent of the hazard, e.g.:



CAUTION

This signal word indicates a situation of potential risk, which could lead to minor or slight injury if not averted.



ATTENTION

This signal word indicates a situation of potential risk, which could lead to damage to property or the environment if not averted.



TIPS AND RECOMMENDATIONS

This signal word indicates useful information for efficient and trouble-free operation.

1.4.2 Further labeling



Step-by-step graphics



Position numbers for parts in diagrams

2 Safety

2.1 Intended use

This product is designed to be used to facilitate the opening and closing of a glass door in a door frame system as part of a UNIQUIN unit.

- The product may only be installed with unit components designed by dormakaba for the installation situation and approved according to the project-related unit drawing.

- The product may only be installed undamaged and in accordance with the requirements of the assembly location.
- The product may only be installed by qualified personnel who correspond to the defined target group.
- Only tempered safety glass (TSG) or laminated safety glass (LSG) made of TSG may be installed with the product.
- The product is only suitable for indoor use.
- The product is suitable for use in tropical countries.

2.2 Foreseeable misuse

- The product is not suitable for installation outdoors.
- The product is not suitable for installation in the vicinity of showers, saunas, swimming and salt-water bath or rooms in which chemicals (e.g. chlorine) are used.

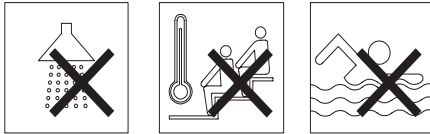


Fig. 1 Not suitable for showers, saunas, baths or salt-water baths

3 Product description

3.1 Example of a UNIQUIN unit

This UNIQUIN unit is an example of a UNIQUIN partition wall system. Further combinations with other unit components, e.g. with an acoustic element or a sliding door, are possible.

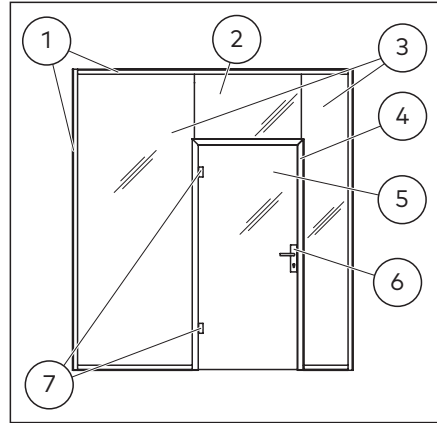


Fig. 2 Example of a UNIQUIN unit

- 1 Ground profile and cover profile
- 2 Overpanel
- 3 Side panels
- 4 Door frame system
- 5 Glass door
- 6 Lock with door handle set
- 7 Door hinges

3.2 Product variants

There are several product variants for different areas of application.

3.2.1 Locks

There are several lock sets for different areas of application, e.g. a lock with escape door function for an emergency exit.

3.2.1.1 Escape door functions

Transmission function E:

Transmission function E is an escape door function used when doors are supposed to prevent unauthorized access from outside under any circumstances. The door can only be opened with a key from outside.

It is always possible to open a door with transmission function E from inside by using the handle.

Transit function D:

Transit function D is an escape door function used when doors are required to allow occasional access from outside. The door can only be opened with a key from outside, or if the escape door function has been activated in advance by using the handle from inside. It is always possible to transit from inside to outside with transit function D by using the handle.

3.2.2 Door handle

There are 3 different handle types (Fig. 3) for different product combinations.

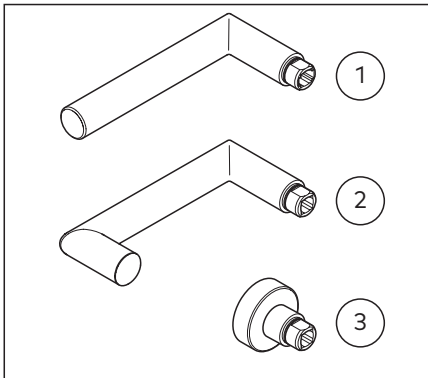


Fig. 3 Overview of handle types

- 1 L-shaped handle
- 2 C-shaped handle
- 3 Knob

3.2.3 Door fittings for locks with escape door function

There are 2 different door fittings with special functions (Fig. 4) for particular requirements, e.g. for transmission

function E and different product combinations.

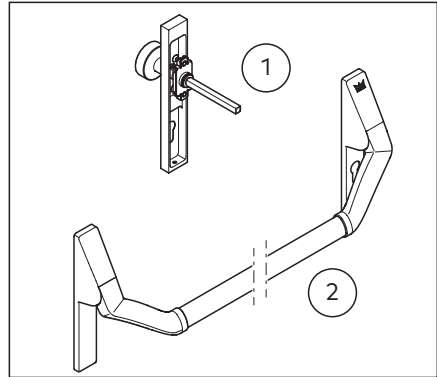


Fig. 4 Overview of door fittings with special functions

- 1 Fixed door knob
- 2 Panic door fitting

3.3 Parts included

The parts included vary depending on the function required or the intended installation scenario situation.

3.3.1 Standard lock with L-shaped handle

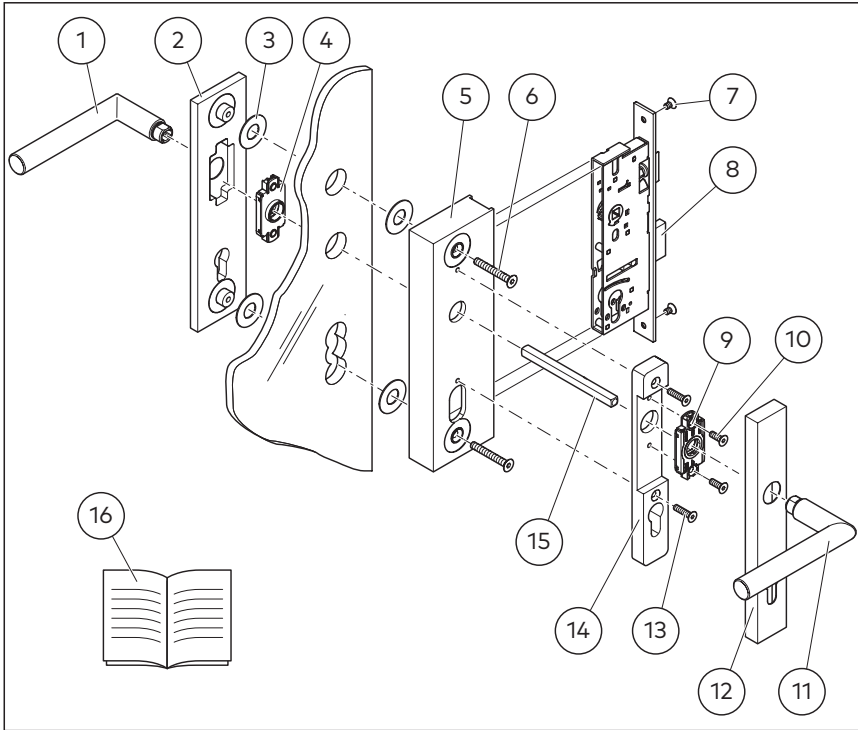


Fig. 5 Example of parts included for a lock with L-shaped handle on both sides

- | | |
|---|--|
| <ul style="list-style-type: none"> 1 L-shaped handle 2 Screw-on plate 3 Gasket 4 Door handle rose 5 Mortise for lock insert 6 Screws:
M6x45 for glass thickness 10–15.5 mm
M6x50 for glass thickness 16–19 mm 7 Screw: M5x8 for lock insert 8 Lock insert | <ul style="list-style-type: none"> 9 Door handle rose 10 Screw: M5x14 for door handle rose 11 L-shaped handle 12 Cover 13 Screw: M5x20 for base plate 14 Base plate 15 Square spindle 8 mm x 8 mm 16 Installation manual |
|---|--|

3.3.2 Lock with transmission function E, with C-shaped handle and fixed door knob

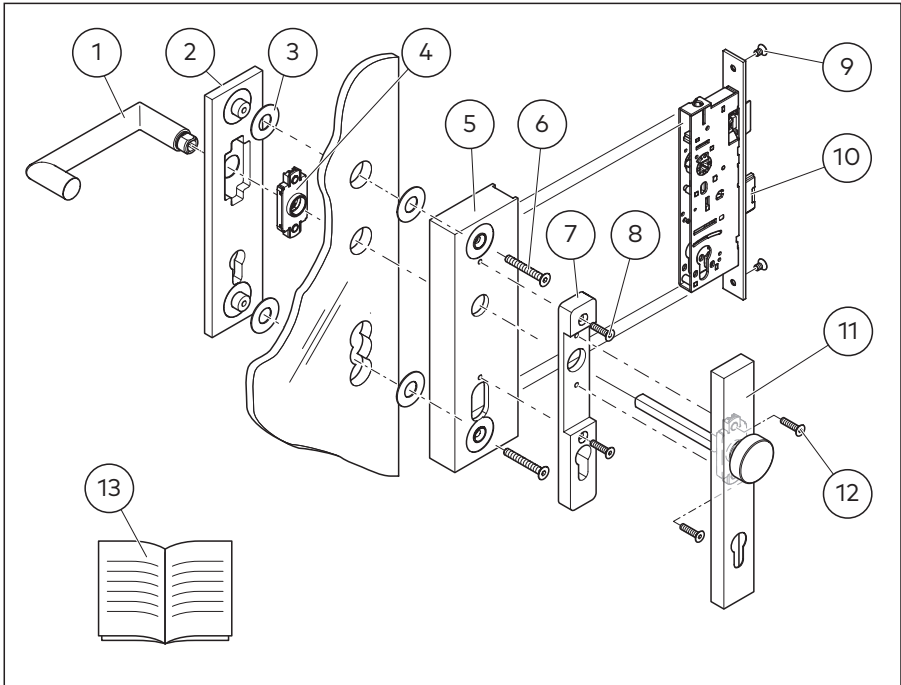


Fig. 6 Example of parts included for a lock with escape door function, handle inside and fixed door knob outside

- | | |
|---|---|
| <ul style="list-style-type: none"> 1 C-shaped handle 2 Screw-on plate 3 Gasket 4 Door handle rose 5 Mortise for lock insert 6 Screws:
M6x45 for glass thickness 10–15.5 mm
M6x50 for glass thickness 16–19 mm 7 Base plate | <ul style="list-style-type: none"> 8 Screw: M5x20 for base plate 9 Screw: M5x8 for lock insert 10 Lock insert 11 Fixed door knob with door handle rose and square spindle 9 mm x 9 mm 12 Screw: M5x14 for door handle rose 13 Installation manual |
|---|---|

3.3.3 Lock with transit function D, with C-shaped handle both sides

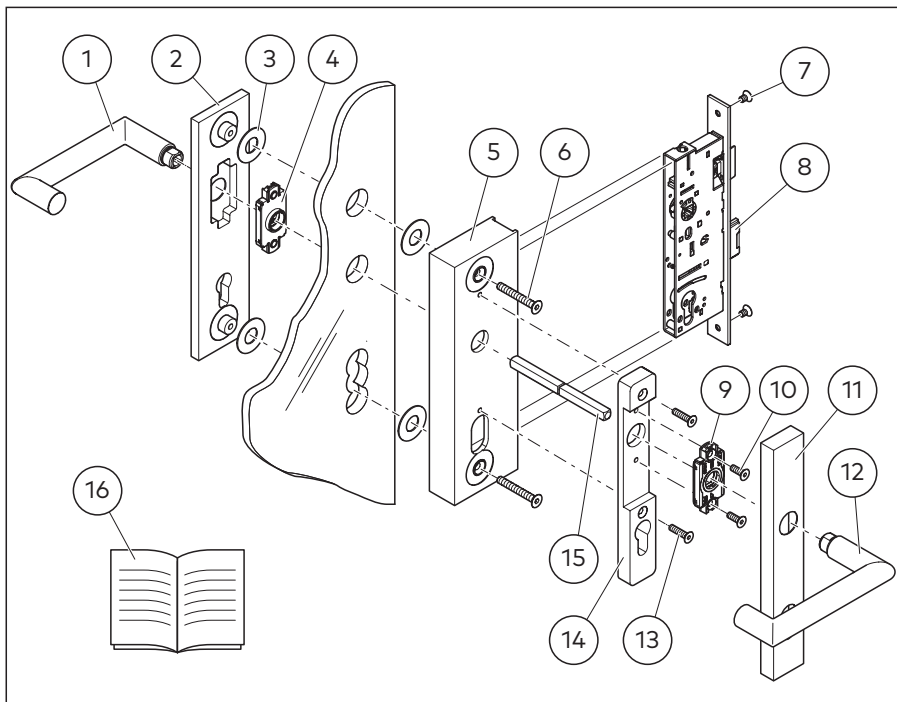


Fig. 7 Example of parts included for a lock with escape door function, handle on both sides

- | | |
|--|---|
| <ul style="list-style-type: none"> 1 C-shaped handle 2 Screw-on plate 3 Gasket 4 Door handle rose 5 Mortise outside for lock insert 6 Screws:
M6x45 for glass thickness 10–15.5 mm
M6x50 for glass thickness 16–19 mm 7 Screw: M5x8 for lock insert 8 Lock insert, e.g. panic lock | <ul style="list-style-type: none"> 9 Door handle rose 10 Screw: M5x14 for door handle rose inside 11 Cover 12 C-shaped handle 13 Screw: M5x20 for base plate 14 Base plate 15 Split square spindle 9 mm x 9 mm 16 Installation manual |
|--|---|

3.3.4 Lock with transmission function E, with panic door fitting and fixed door knob

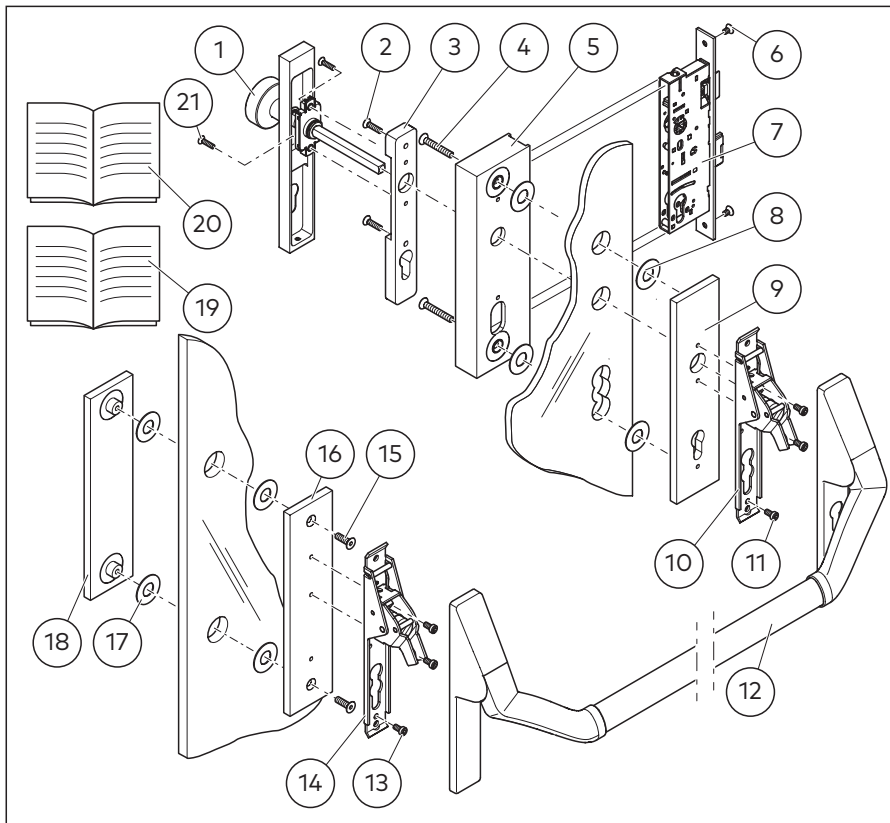


Fig. 8 Example of parts included for a lock with escape door function, panic door fitting inside and fixed door knob

- | | |
|---|--|
| <ul style="list-style-type: none"> 1 Fixed door knob with door handle rose and square spindle 9 mm x 9 mm 2 Screw: M5x20 for base plate 3 Base plate 4 Screws:
M6x45 for glass thickness 10–15.5 mm
M6x50 for glass thickness 16–19 mm 5 Mortise for lock insert 6 Screw: M5x8 for lock insert 7 Lock insert 8 Gasket 9 Screw-on plate for opposite side to lock 10 Base plate for panic door fitting | <ul style="list-style-type: none"> 11 Screw: M5x10 for base plate 12 Panic door fitting 13 Screw: M5x10 for base plate 14 Base plate for panic door fitting 15 Screw: M6x20 for screw-on plate 16 Screw-on plate for the opposite side to the hinge 17 Gasket 18 Screw-on plate for the hinge side 19 Installation manual 20 Installation manual for panic door fitting 21 Screw M5x14 for door handle rose |
|---|--|

3.3.5 Lock with transit function D, with panic door fitting and C-shaped handle

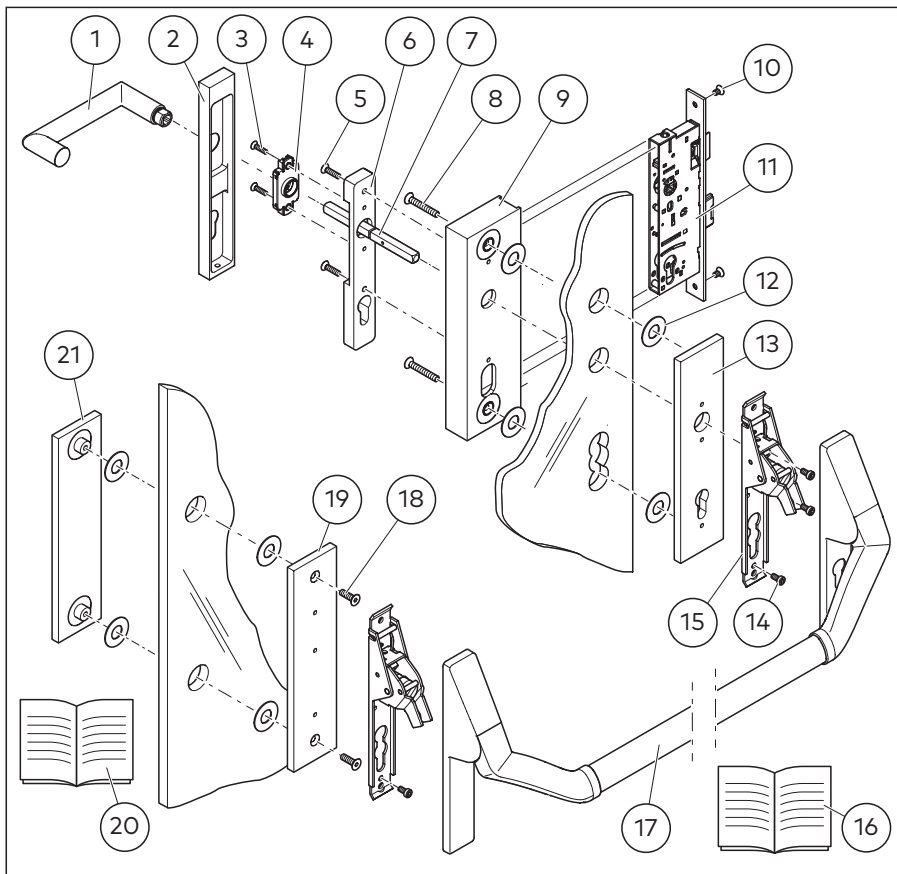


Fig. 9 Example of parts included for a lock with escape door function, panic door fitting inside and handle

- | | |
|--|--|
| <ul style="list-style-type: none"> 1 C-shaped handle 2 Cover 3 Screw: M5x14 for door handle rose 4 Door handle rose 5 Screw: M5x20 for base plate 6 Base plate 7 Split square spindle 9 mm x 9 mm 8 Screws:
M6x45 for glass thickness 10–15.5 mm
M6x50 for glass thickness 16–19 mm 9 Mortise for lock insert 10 Screw: M5x8 for lock insert | <ul style="list-style-type: none"> 11 Lock insert 12 Gasket 13 Screw-on plate for opposite side to lock 14 Screw: M5x10 for base plate 15 Base plate for panic door fitting 16 Installation manual for panic door fitting 17 Panic door fitting 18 Screw: M6x20 for screw-on plate 19 Screw-on plate for the opposite side to the hinge 20 Installation manual 21 Screw-on plate for the hinge side |
|--|--|

3.3.6 Standard lock with L-shaped handle and c-lever compact

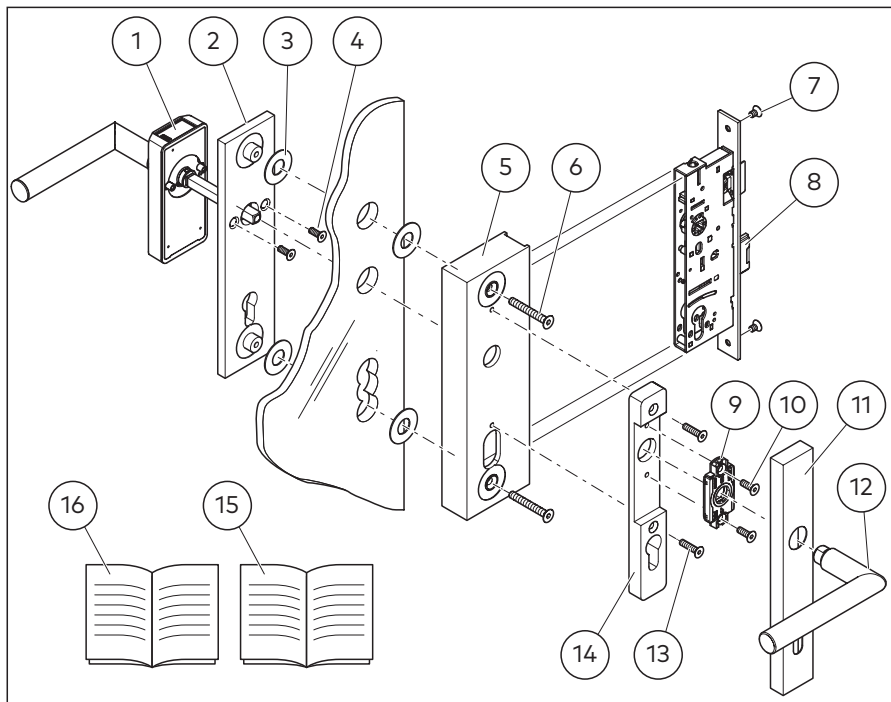


Fig. 10 Example of parts included for a lock with c-lever compact

- | | |
|---|--|
| <ul style="list-style-type: none"> 1 L-shaped handle with c-lever compact and square spindle 9 mm x 9 mm 2 Base plate 3 Gasket 4 Screw for c-lever compact 5 Mortise for lock insert 6 Screws:
M6x45 for glass thickness 10–15.5 mm
M6x50 for glass thickness 16–19 mm 7 Screw: M5x8 for lock insert | <ul style="list-style-type: none"> 8 Lock insert 9 Door handle rose 10 Screw: M5x14 for door handle rose inside 11 Cover 12 L-shaped handle 13 Screw: M5x20 for base plate 14 Base plate 15 Installation manual 16 Manual for c-lever compact |
|---|--|

3.4 Technical information

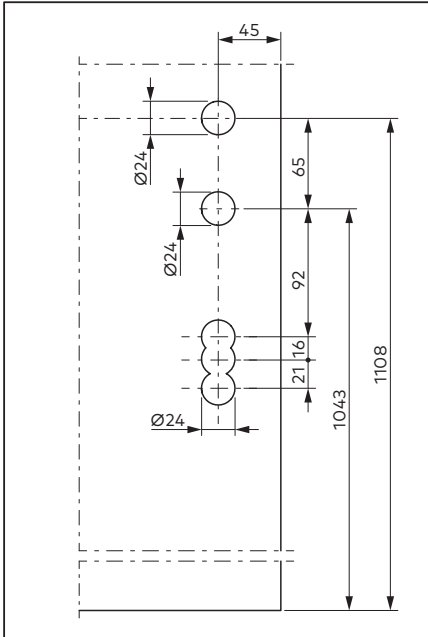


Fig. 11 Glass machining on the glass door for lock installation on the main closing edge

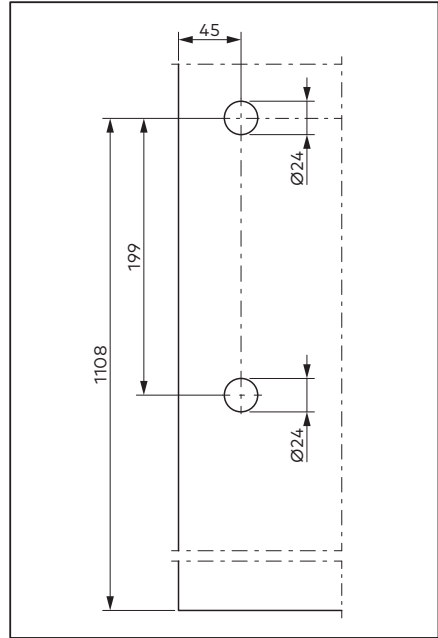


Fig. 12 Glass machining on the glass door for installation of the panic door fitting on the secondary closing edge/hinge side (optional)

4 Storage and transport



CAUTION

Risk of crushing and impact due to unsecured components.

Unsecured components can lead to crushing and impact injuries during transport.

- Wear personal protective equipment.
- Secure components adequately during transport.

**ATTENTION****Risk of damage during transport.**

Unsecured components may be damaged during transport.

- Secure components adequately during transport.
-

**TIPS AND RECOMMENDATIONS**

The installation steps are examples for standard product combinations. Depending on product combination it may be necessary to combine different installation steps or leave them out.

5 Installation

**CAUTION****Risk of crushing and impact due to unsecured components.**

Unsecured components can lead to crushing and impact injuries during transport.

- Wear personal protective equipment.
 - Secure components adequately during transport.
-

**CAUTION****Risk of injury due to sharp edges.**

Contact with cut edges can lead to cuts.

- Wear protective gloves.
 - Secure cut edges against contact.
-

**CAUTION****Risk of injury from broken glass during installation.**

Incorrect installation can lead to broken glass and cause injuries.

- Secure the installation site.
 - Wear protective clothing.
-

Requirements

- Before installation, ensure that the glass machining on the glass door complies with specifications (Fig. 11 and Fig. 12) and the project-related unit drawing.
- Check which of the installation steps described are required with the given combination of products before starting installation.

5.1 Tools for installation

- Torx angle screwdriver
- Hexagonal socket set
- Torque wrench

5.2 Installing lock with door handle set

Requirements

- The door frame system is installed.
- The opening direction of the door complies with the project-related unit drawing.
- The lock has the required function, e.g. transmission function E.
- The door and door frame are suitable for use with the intended lock, e.g. emergency exit with panic door fitting.

1. Attach the gasket to the lock mortise on the glass side (Fig. 13).
2. Attach the gasket to the screw-on plate on the glass side.

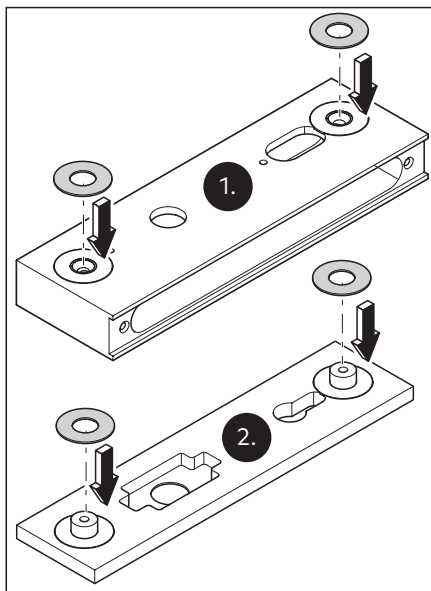


Fig. 13 Attach the gaskets.

3. Put the door handle rose into the screw-on plate (Fig. 14).
4. Hold the screw-on plate against the door on the side opposite the lock (opposite side to the hinge).
5. Hold the lock mortise against the door on the lock side.

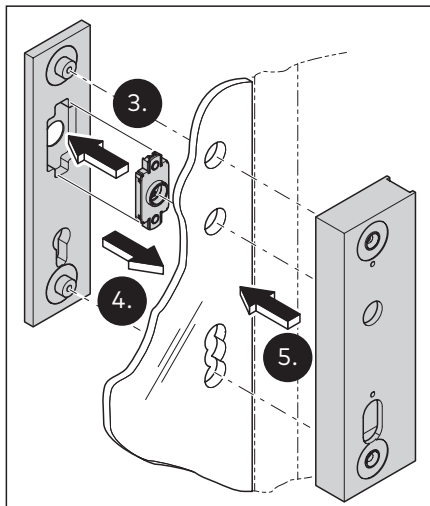


Fig. 14 Attach the lock mortise and the screw-on plate

6. Connect the lock mortise and the screw-on plate loosely through the door with the appropriate screws (Fig. 15).



TIPS AND RECOMMENDATIONS

Select a screw length appropriate for the glass thickness (see Chapter 3.3).

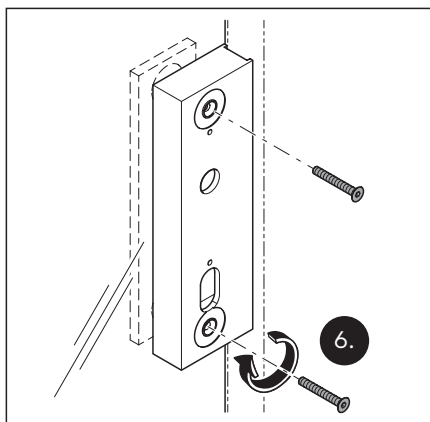


Fig. 15 Connect the lock mortise and the screw-on plate

- Slide the lock insert into the mortise and fix in place (Fig. 16).

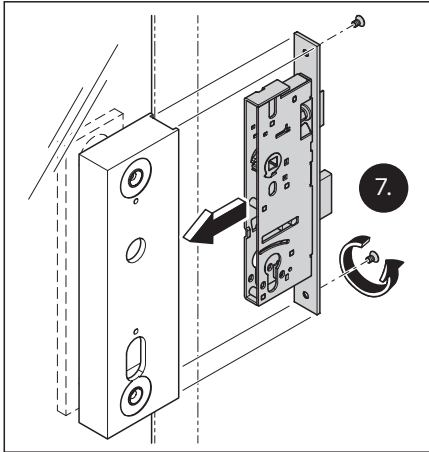


Fig. 16 Slide the lock insert into the mortise and fix in place

- Align the lock mortise so that it is vertically flush with the glass edge (Fig. 17).
- Align the upper edge of the lock mortise so that it is flush with the upper edge of the strike plate.

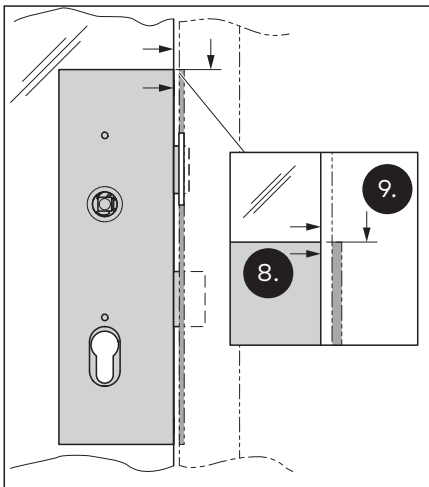


Fig. 17 Align the lock mortise and the latch

- Fix the lock mortise and the screw-on plate in place with 10 Nm (see Fig. 15).
- Put the base plate on the lock mortise (Fig. 18).
- Fix the base plate onto the lock mortise with 2 screws M5x20 with 5 Nm.
- Fix the door handle rose onto the base plate with 2 screws M5x14 with 5 Nm.

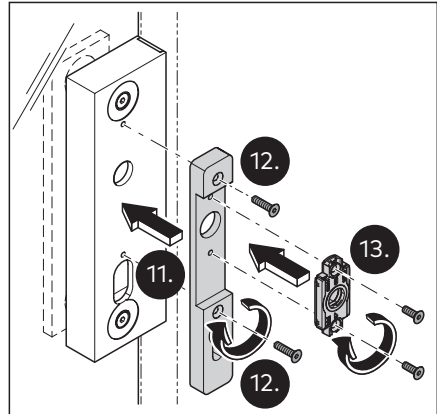


Fig. 18 Fix the base plate onto the lock mortise

- Observe the alignment of the square spindle (Fig. 19).
- Push the square spindle through the door handle rose from the lock side into the lock as far as it will go.

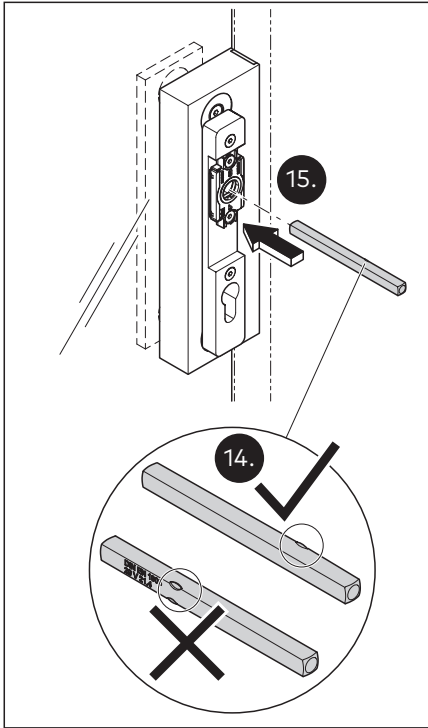


Fig. 19 Install the square spindle.



TIPS AND RECOMMENDATIONS

With the product variant with a fixed knob (see Chapter 5.3) the square spindle is inserted into the lock together with the cover and the knob.

- 16. Attach the cover to the base plate (Fig. 20).
- 17. Fix the cover in place with screw M6x10.

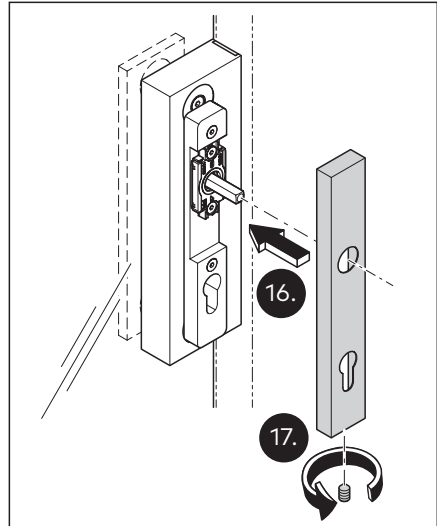


Fig. 20 Attach the cover to the base plate and fix in place

- 18. Attach the door handle on the lock side and push until you hear it click into place against the square spindle (Fig. 21).



TIPS AND RECOMMENDATIONS

The door handle can only be dismantled using circlip pliers (see Chapter 7.2).

- 19. Fix the door handle in place onto the square spindle.

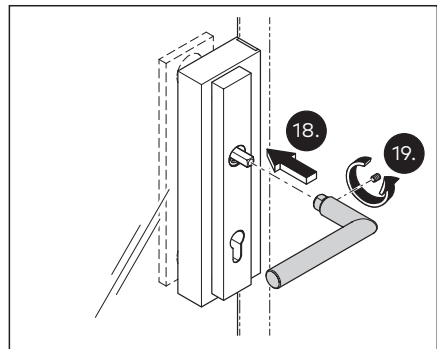


Fig. 21 Fix the door handle in place on the lock side.

- Attach the door handle in the same way on the opposite side from the lock and fix in place.



TIPS AND RECOMMENDATIONS

Installation instructions for the L-shaped handle can be followed for other variants.



TIPS AND RECOMMENDATIONS

A base plate can be installed instead of a screw-on plate, for instance for a standard lock.

→ **The lock with the handle is installed.**

5.3 Installing the lock with fixed knob

Requirement

- Set-up is to include a panic door fitting.

The following installation steps show an example of how to mount a fixed door knob in preparation for installation of a panic door fitting.

- Attach the gasket on the glass side of the lock mortise (Fig. 22).
- Attach the gasket on the glass side to the screw-on plate.

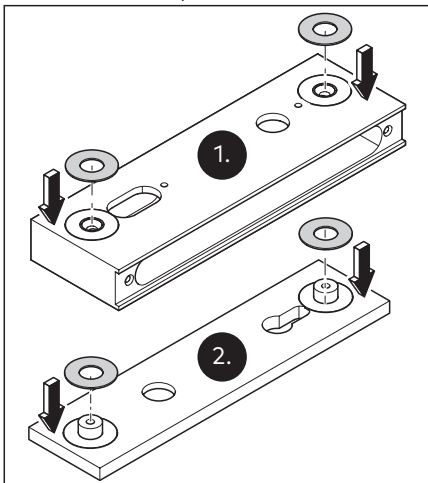


Fig. 22 Attach the gaskets.

- Put the lock mortise on the lock side against the pre-drilled holes in the glass door.
- Connect the screw-on plate and the lock mortise loosely with 2 screws.



TIPS AND RECOMMENDATIONS

Select a screw length appropriate for the glass thickness (see Chapter 3.2).

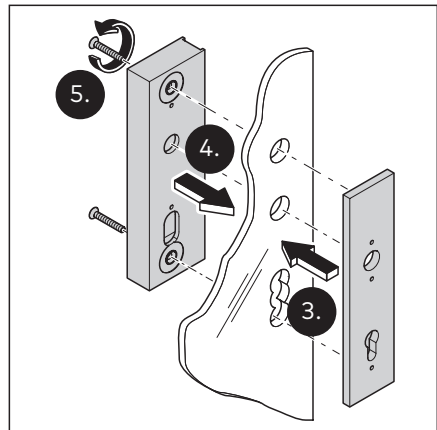


Fig. 23 Connect the lock mortise and the screw-on plate

6. Slide the lock insert into the mortise and fix in place (Fig. 24).

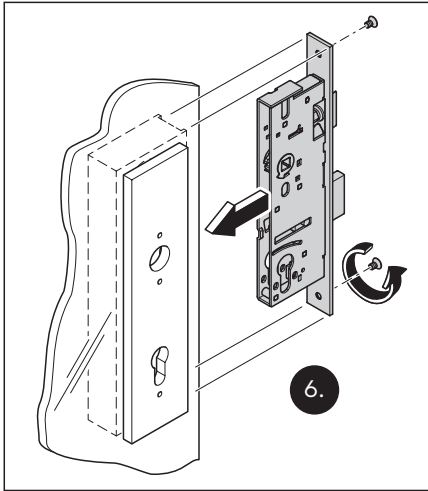


Fig. 24 Slide the lock insert into the mortise and fix in place

7. Align the lock mortise so that it is vertically flush with the glass edge (Fig. 25).
8. Align the upper edge of the lock mortise so that it is flush with the upper edge of the strike plate.

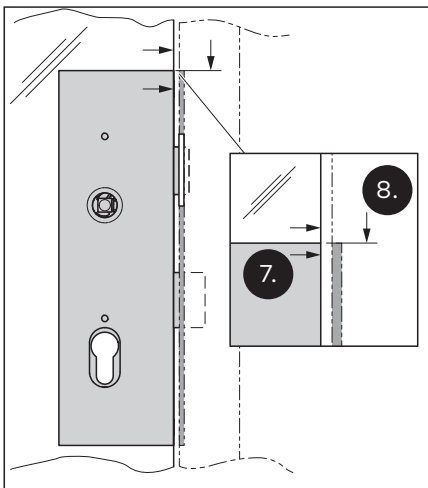


Fig. 25 Align the lock mortise and the latch

9. Fix the lock mortise and the screw-on plate in place with 10 Nm (see Fig. 23).
10. Put the base plate on the lock mortise (Fig. 26).
11. Fix the base plate onto the lock mortise with 2 screws M5x20 with 5 Nm.
12. Turn the cover horizontally and insert the door handle rose into the base plate with the square spindle.
13. Fix the door handle rose onto the base plate with M5x14 screw with 5 Nm.

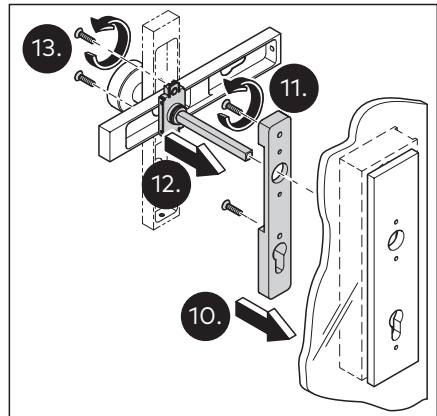


Fig. 26 Fix the base plate onto the lock mortise

14. Ensure that the square spindle extends beyond the screw-on plate by max. 11 mm for installation of a panic door fitting (Fig. 27).



TIPS AND RECOMMENDATIONS

If necessary screw the spindle to extend it or have it lengthened using the correct methods.

15. Attach the cover to the base plate vertically.
16. Fix the cover onto the base plate with screw M6x10.

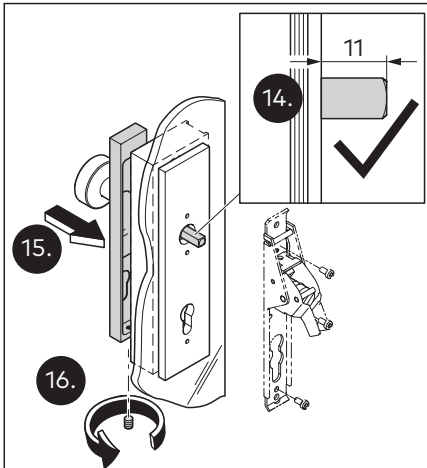


Fig. 27 Fixing the cover to the base plate

→ **The lock with the handle is installed.**

5.4 Installing the screw-on plates for a panic door fitting

Requirement

- Set-up is to include a panic door fitting.
1. Put the screw-on plates with the gaskets onto the pre-drilled hole in the glass door (Fig. 28).

2. Connect the screw-on plates with 2 M6x20 screws.

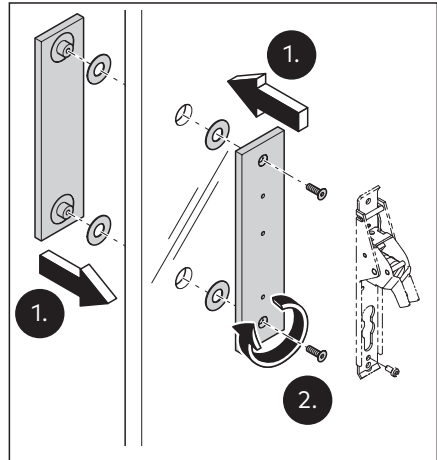


Fig. 28 Installing the screw-on plates

→ **The screw-on plates for a panic door fitting are installed.**

5.5 Installing the lock with c-lever compact

Requirements

- The door frame system is installed.
- The opening direction of the door complies with the project-related unit drawing.
- The lock has the required functions.
- The door and door frame are suitable for use with the intended lock.
- The c-lever compact is prepared for installation as per the enclosed manual.
- The c-lever compact is supplied with a 105 mm square spindle pre-installed.



TIPS AND RECOMMENDATIONS

The length of square spindle required for UNIQUIN is 105 mm.

1. Attach the gasket to the lock mortise on the glass side (Fig. 29).
2. Attach the gasket to the screw-on plate on the glass side.

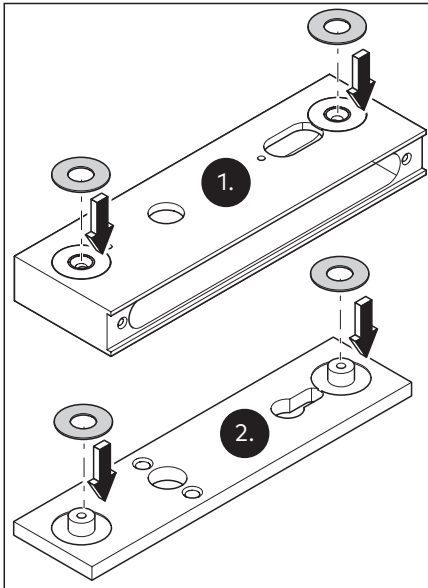


Fig. 29 Attach the gaskets.

3. Slide the lock insert into the mortise and fix in place (Fig. 30).

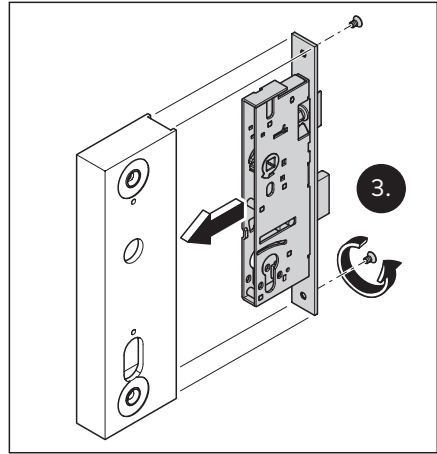


Fig. 30 Slide the lock insert into the mortise and fix in place

4. Attach the c-lever compact to the screw-on plate and fix in place with 10 Nm (Fig. 31).

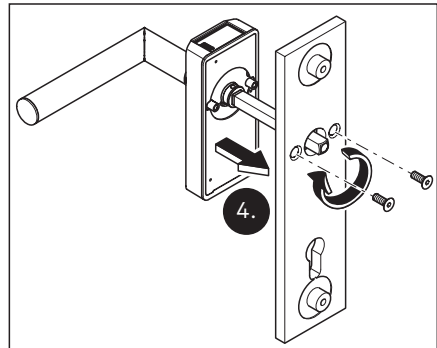


Fig. 31 Attaching the c-lever compact to the screw-on plate

5. Hold the screw-on plate against the door on the side opposite the lock (Fig. 32).
6. Hold the lock mortise against the door on the lock side.

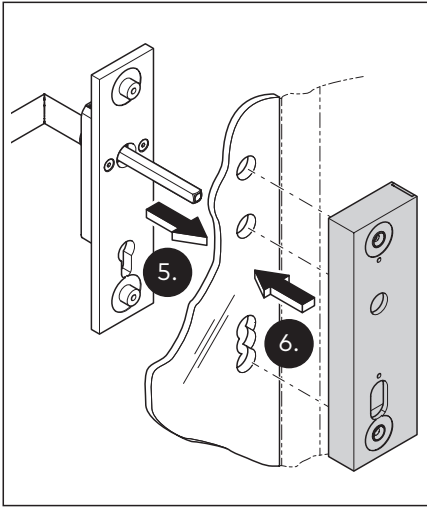


Fig. 32 Attach the lock mortise and the screw-on plate

7. Connect the lock mortise and the screw-on plate loosely through the door with the appropriate screws (Fig. 33).



TIPS AND RECOMMENDATIONS

Select a screw length appropriate for the glass thickness (see Chapter 3.3).

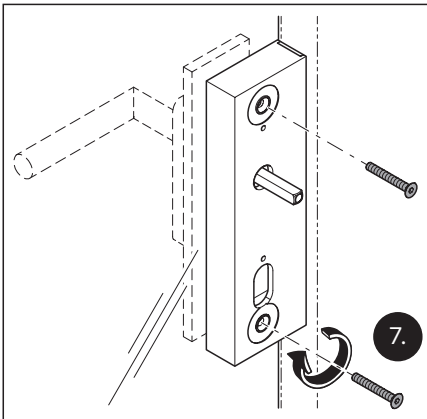


Fig. 33 Connect the lock mortise and the screw-on plate

8. Align the lock mortise so that it is vertically flush with the glass edge (Fig. 34).
9. Align the upper edge of the lock mortise so that it is flush with the upper edge of the strike plate.

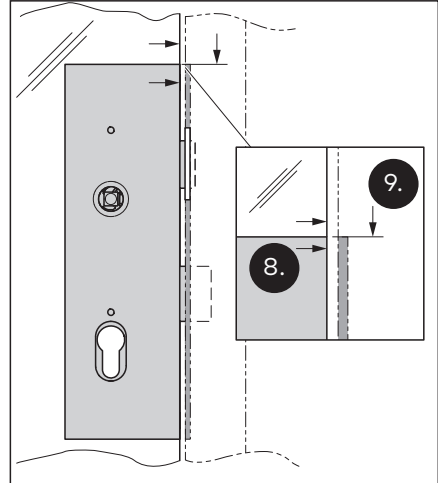


Fig. 34 Align the lock mortise and the latch

10. Fix the lock mortise and the screw-on plate in place with 10 Nm (see Fig. 33).
11. Put the base plate on the lock mortise (Fig. 35).
12. Fix the base plate onto the lock mortise with 2 screws M5x20 with 5 Nm.
13. Fix the door handle rose onto the base plate with 2 screws M5x14 with 5 Nm.

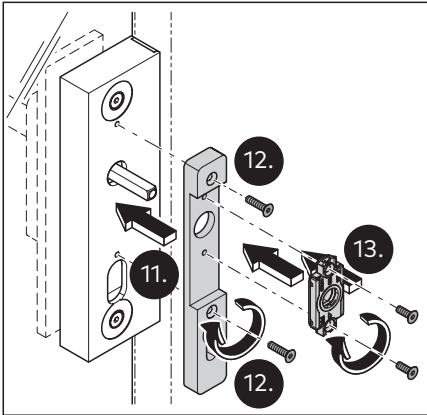


Fig. 35 Fix the base plate onto the lock mortise

- 14. Attach the cover to the base plate (Fig. 36).
- 15. Fix the cover in place with screw M6x10.

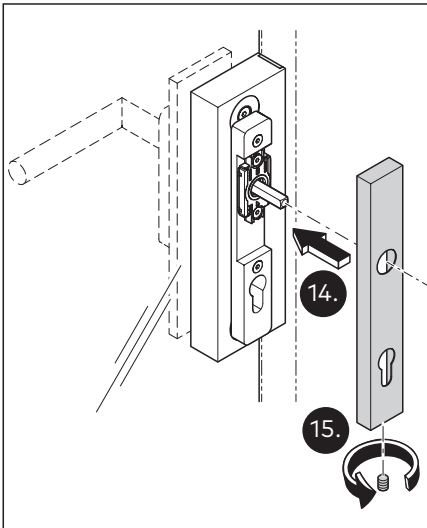


Fig. 36 Attach the cover to the base plate and fix in place

- 16. Attach the door handle on the lock side and push until you hear it click into place against the square spindle (Fig. 37).



TIPS AND RECOMMENDATIONS

The door handle can only be dismantled using circlip pliers (see Chapter 7.2).

- 17. Fix the door handle in place onto the square spindle.

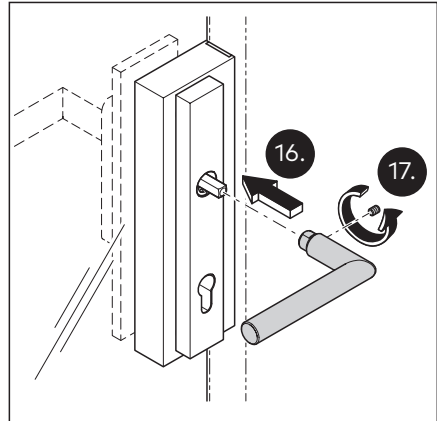


Fig. 37 Fix the door handle in place on the lock side.

- 18. Operate the c-lever compact according to the installation and operation manual.
 → **The lock with door handle and c-lever compact is installed.**

5.6 Completing the installation with panic door fitting

Requirements

- The lock with the handle is installed.
- The screw-on plates for a panic door fitting are installed.

- 1. Continue installation with the help of the installation manual for the panic door fitting.



TIPS AND RECOMMENDATIONS

Bar length to be trimmed:
Width of glass door – 190 mm

2. Complete installation according to the installation manual for panic door fitting.
3. If applicable, attach a profile cylinder (not included with delivery).
4. Ensure that the required function of the unit is provided, e.g. the function of an escape door.
→ **The UNIQUIN lock with panic door fitting is installed.**

5.7 Completing the installation without panic door fitting

Requirements

- The lock with the handle is installed.
1. If applicable, attach a profile cylinder (not included with delivery).
 2. Ensure that the required function of the unit is provided.
→ **The UNIQUIN lock without panic door fitting is installed.**

6 Maintenance and care

6.1 Maintenance instructions

The product is largely maintenance-free.

1. Please refer to the maintenance instructions for all unit components.
2. Refer to the system manual.

6.2 Cleaning instructions

Only use suitable cleaning and care products to clean the surfaces.

7 Dismantling and disposal

Dismantling is carried out in the reverse order of the installation manual instructions and must be done by qualified personnel. Refer to the relevant national standards and guidelines for disposal.



Dispose of the product in an environmentally friendly manner. Electronic parts and batteries must not be disposed of as domestic waste. Electronic parts and batteries must be disposed in the designated

acceptance and collection points.

Refer to the statutory regulations for your country.

7.1 Tools for dismantling

- Torx angle screwdriver
- Circlip pliers
- Hexagonal socket set

7.2 Dismantling the door handle

1. Loosen the grub screw on the cover (Fig. 38).
2. Lift the cover away from the base plate

7.3 Dismantling the other components

1. Dismantle the other components in reverse order to the installation procedure.

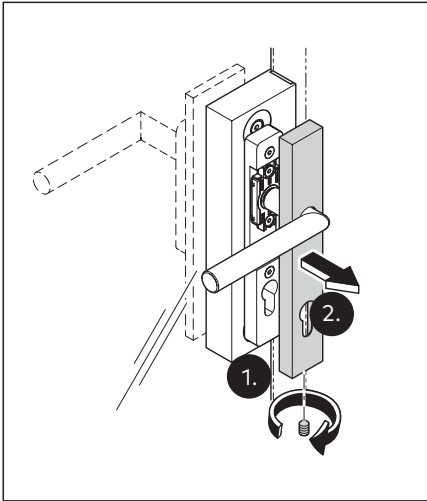


Fig. 38 Detach the cover from the base plate

3. Loosen the grub screw on the door handle.
4. Insert the circlip pliers into the door handle rose and prize the circlip apart (Fig. 39).
5. Lift the door handle away from the door handle rose.

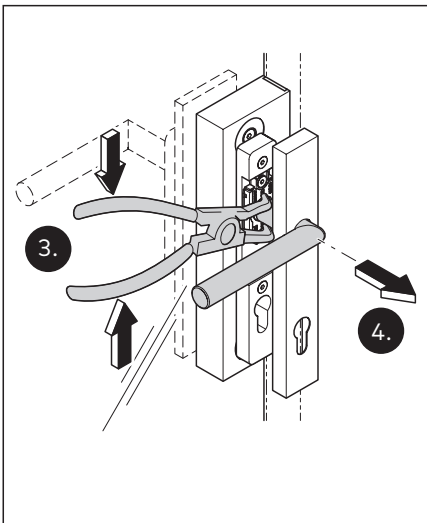


Fig. 39 Lifting the door handle away from the door handle rose

