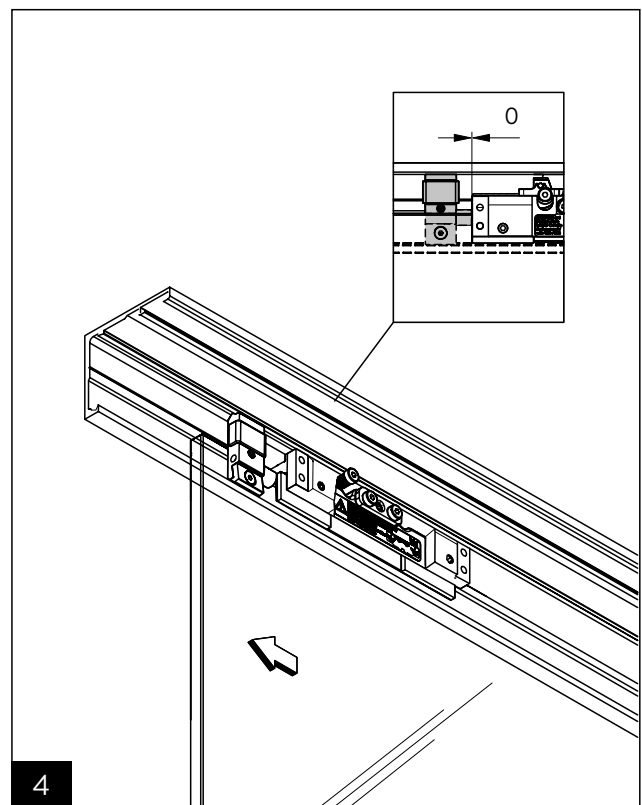
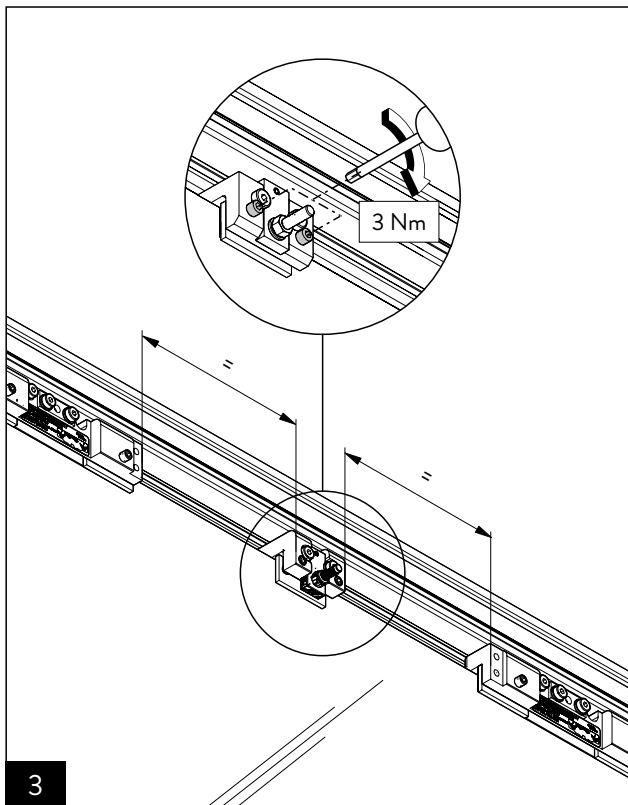
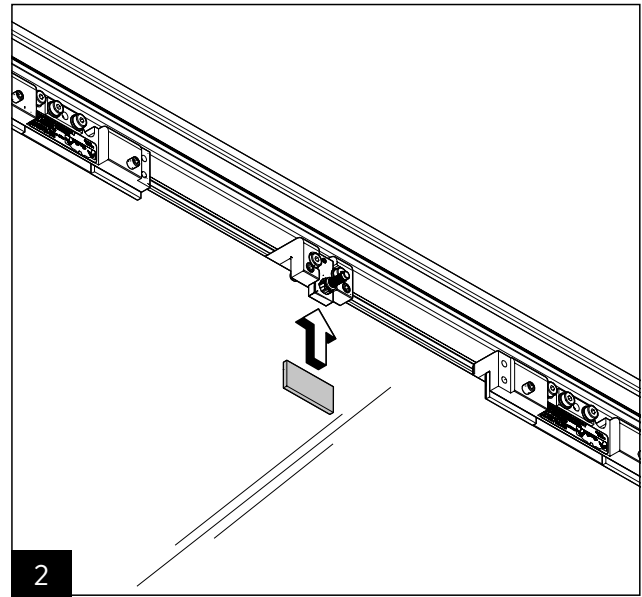
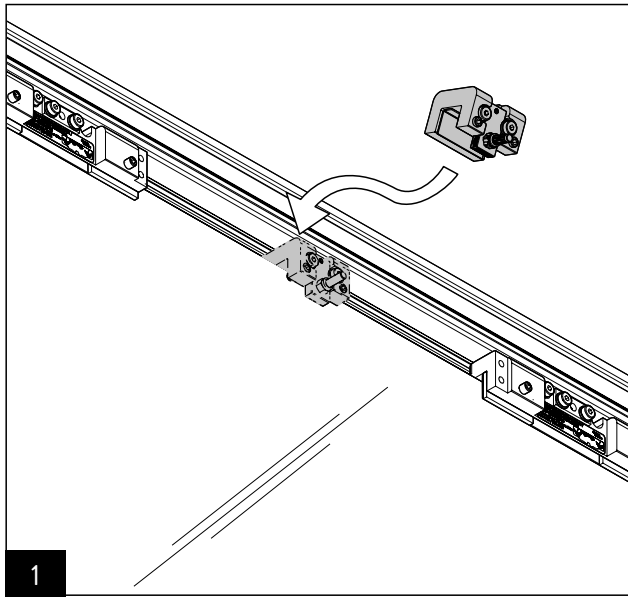


Moving Details.



Montageanleitung

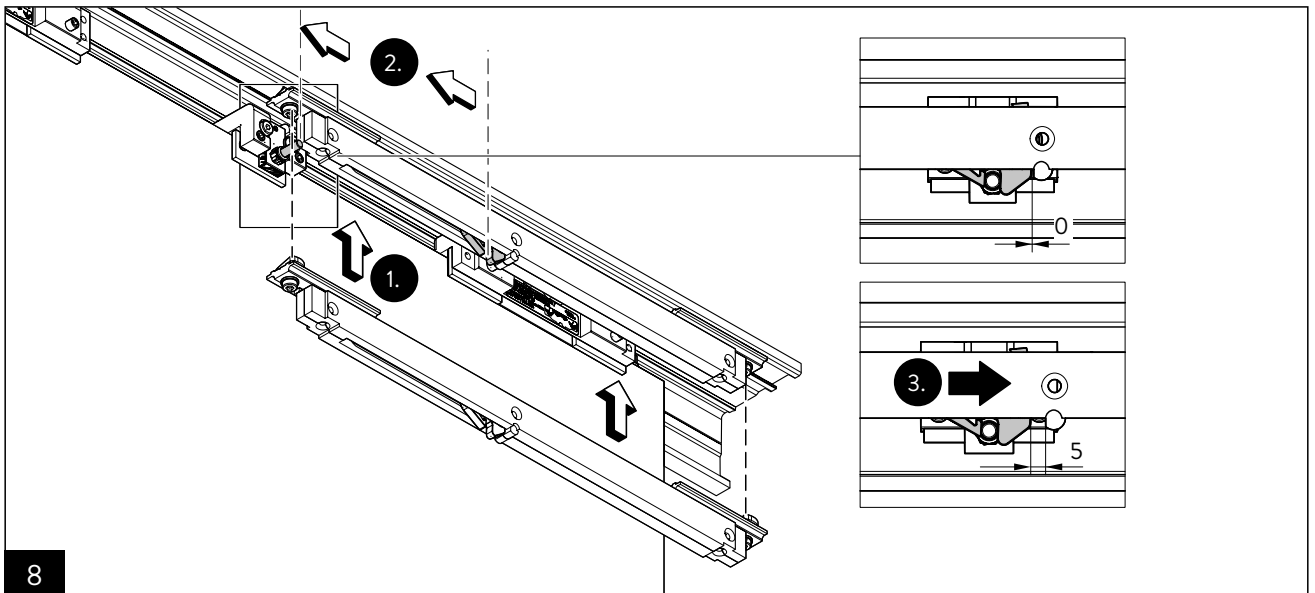
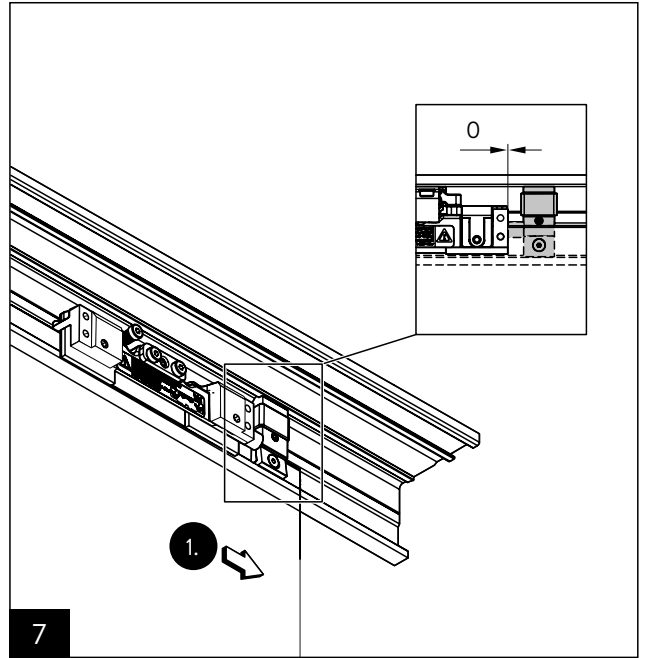
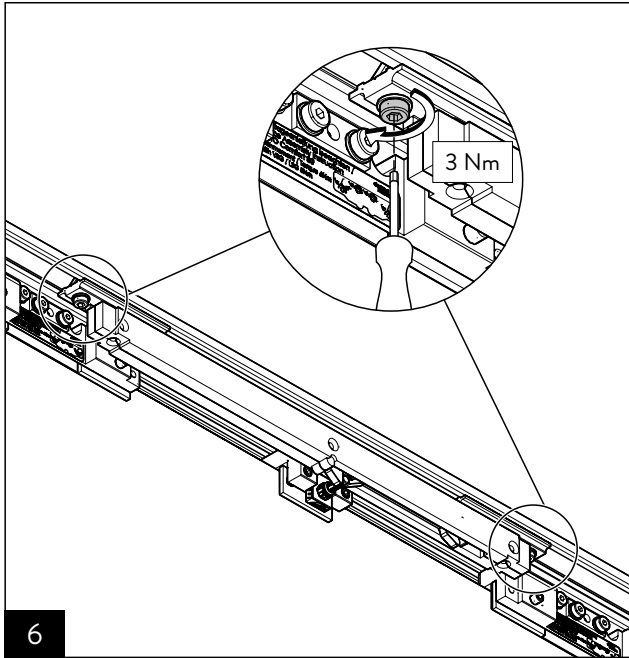
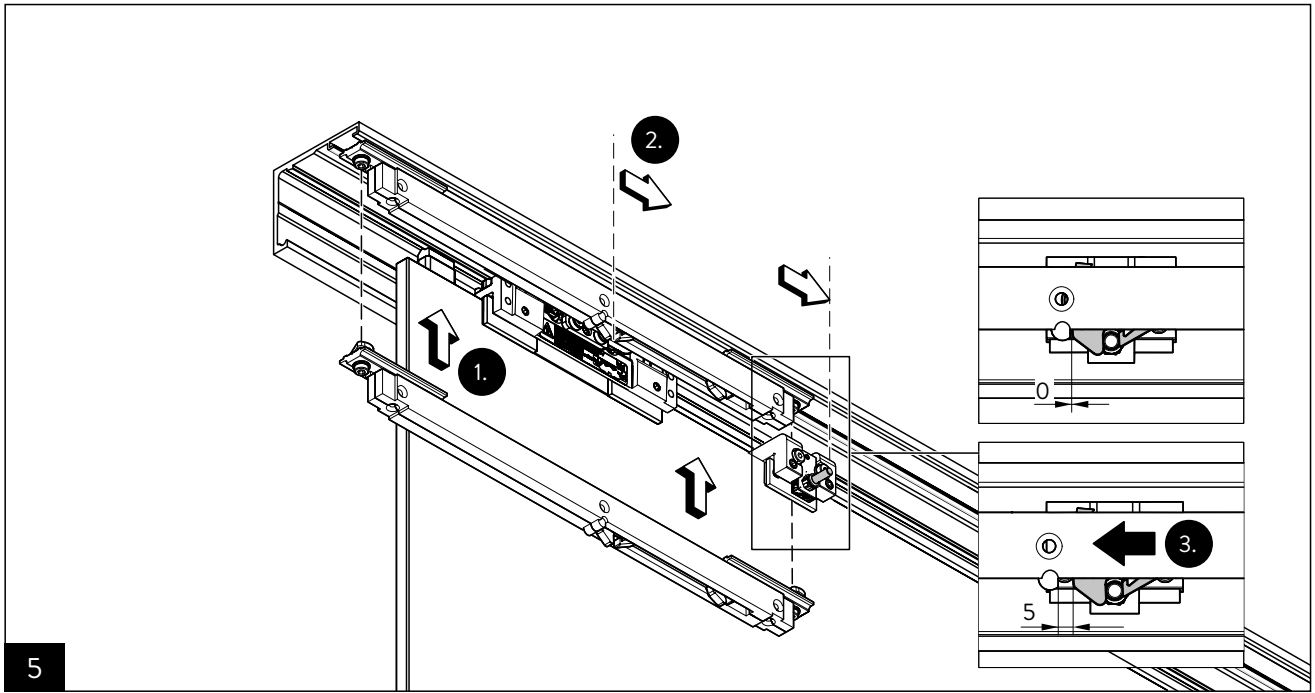
MUTO Premium

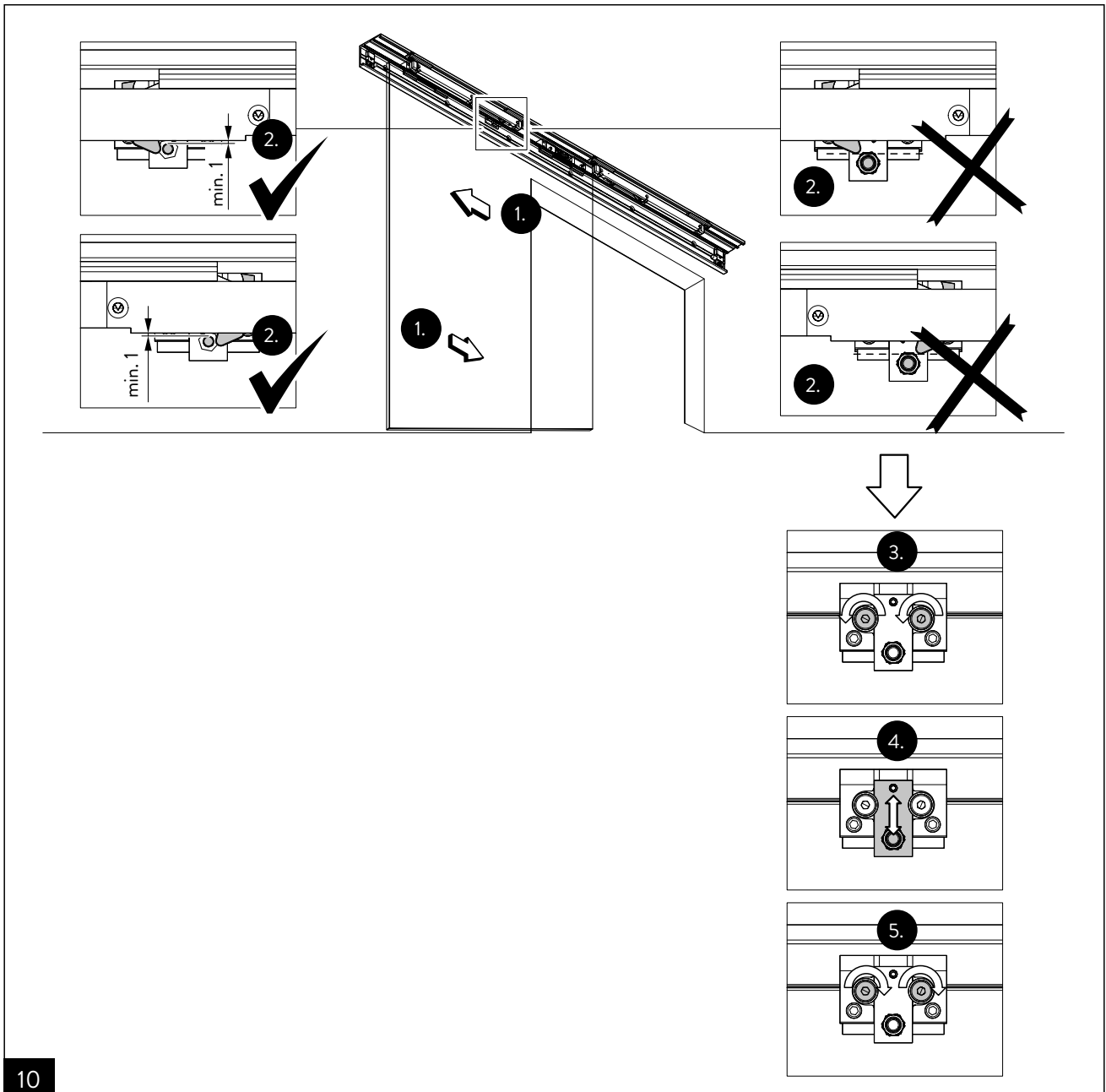
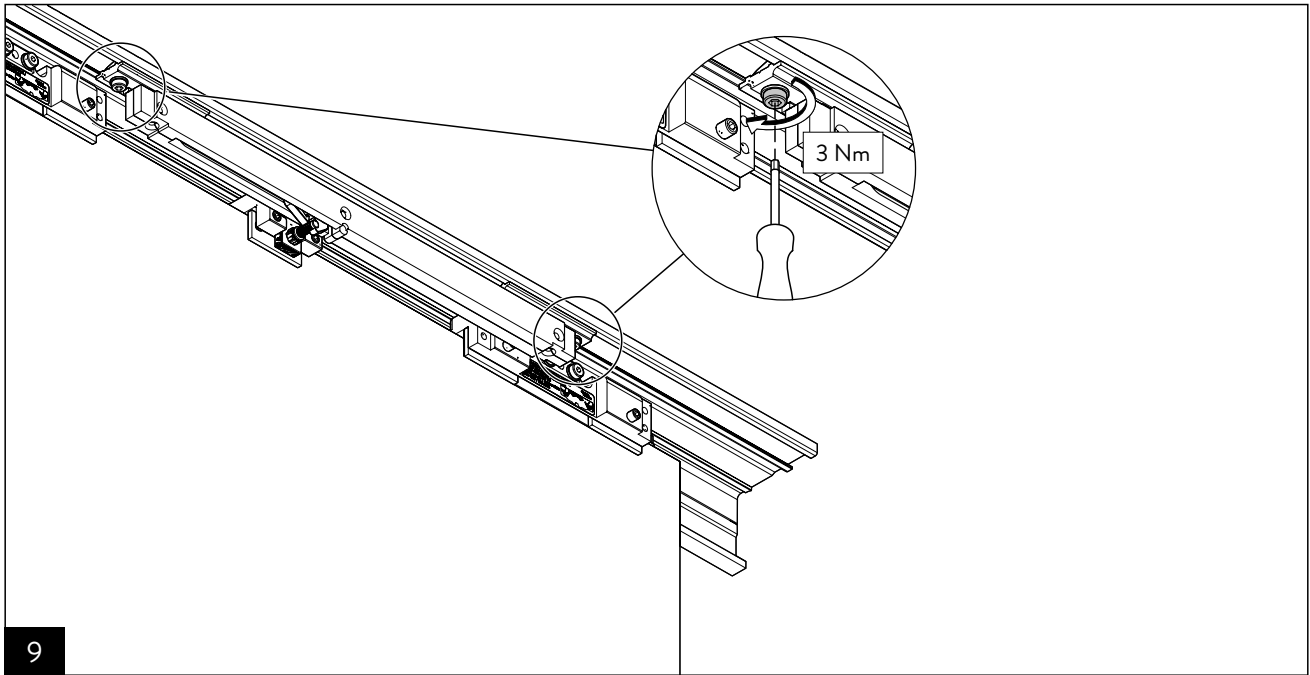
DORMAOTION 2021



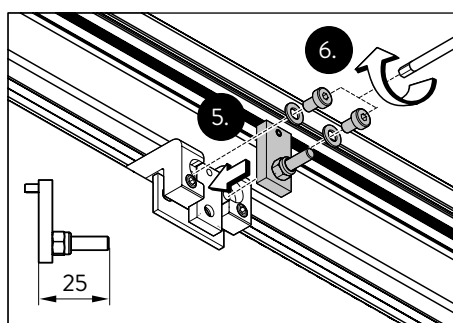
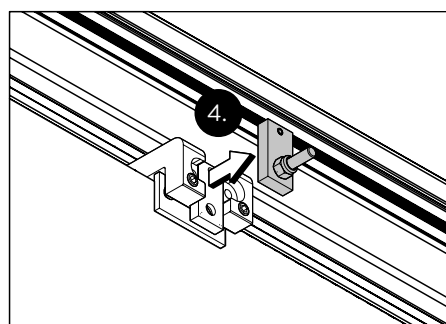
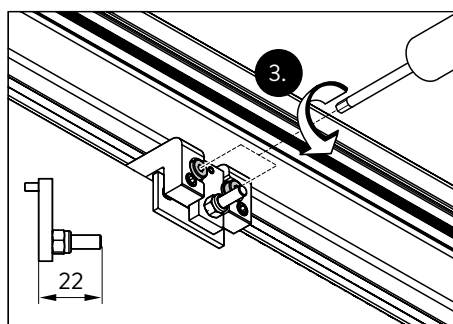
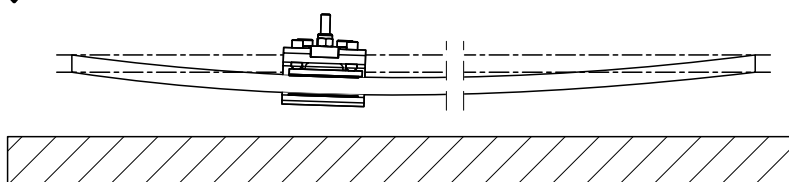
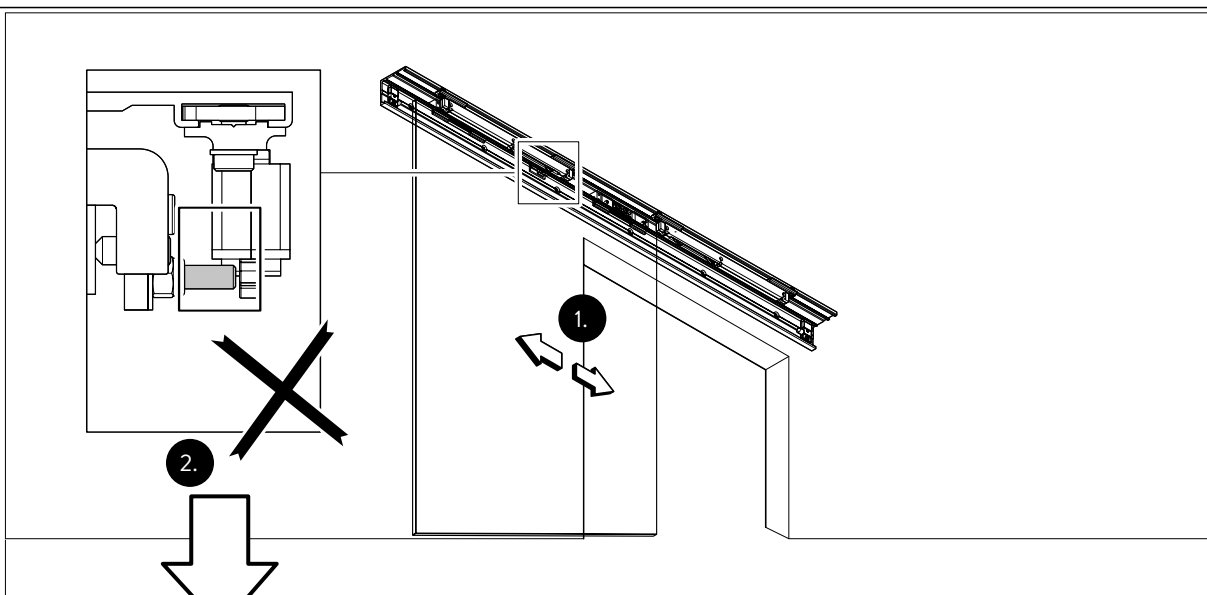
WN 060034 45532

2023-10 / 015388





Moving Details.



11



DORMA-Glas GmbH
 Max-Planck-Straße 33-45
 D - 32107 Bad Salzufflen

T +49 5222 924-0

info@dorma-glas.com
 www.dorma-glas.com

DORMA-Glas GmbH
 DORMA-Glas GmbH



Originaldokument / Original document